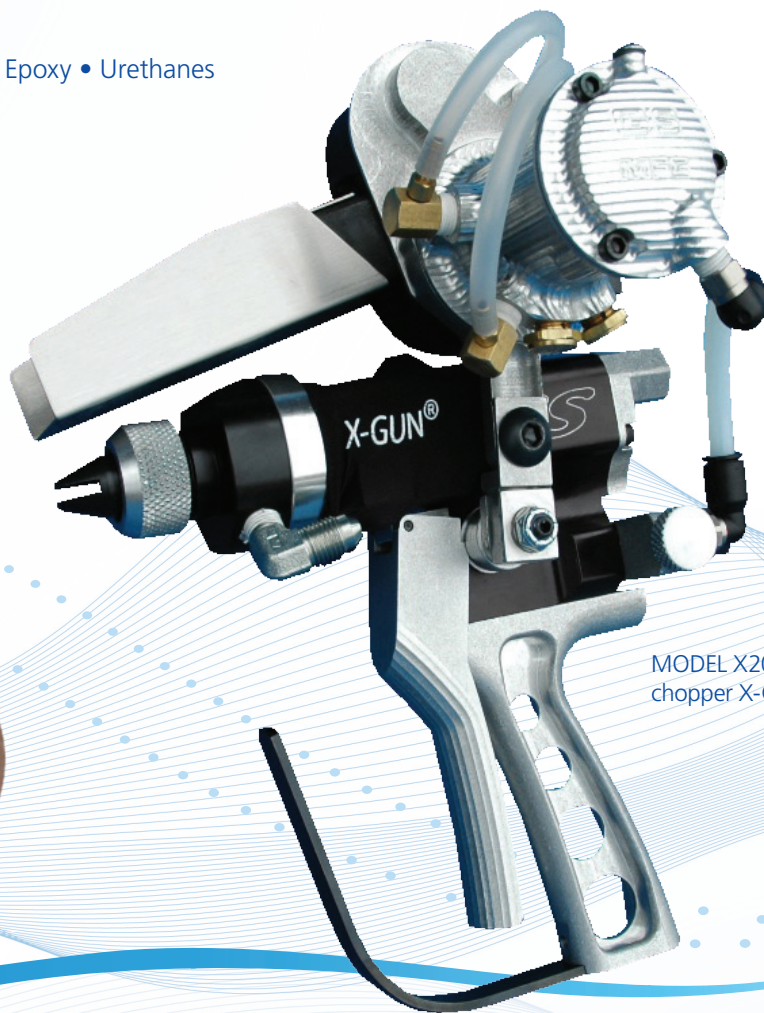
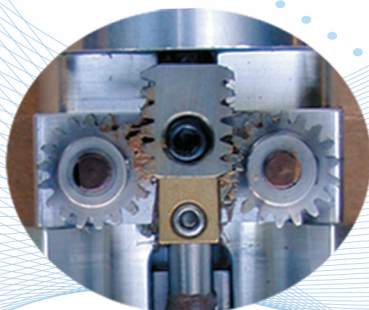


ULTRA-LITE Chopper-Gun

#1 Gun of Choice is the X-Gun®
Proven Reliability

X-Gun® Also available for
Granite Coatings • Adhesives • Epoxy • Urethanes

No Needles/No O-Rings
Pneumatic Cylinder activates
rack/gears to open ball valves
(coated balls for abrasives)



MODEL X2015CC internal mix
chopper X-GUN®

- Easy to Disassemble
Internal Mix Nozzle Assembly
No Bolts
- Lightweight Billet Aluminum
- Low Pressure Pneumatic Controls
- Ergonomically Designed Air Trigger to
Reduce Operator Fatigue
- Modular Components
- Two Stage Trigger
- Hi-Torque GS motor
(Smaller Low Torque Motor Available)

We proudly serve these industries... Wind Power, Marine, Rail, RV, Automotive, Truck, Tub and Shower, Swimming Pools, Jacuzzis, Water Park and Playground, Storage Tank, Architectural, Recreational Products

www.gsmfg.com

985 W. 18th Street, Costa Mesa, CA 92627
949-642-1500 • Fax 949-631-6770

Made to your specifications in the United States

Composite Fabrication Equipment
*Pioneer of High Flow Structural
Adhesive Dispensing Systems*

