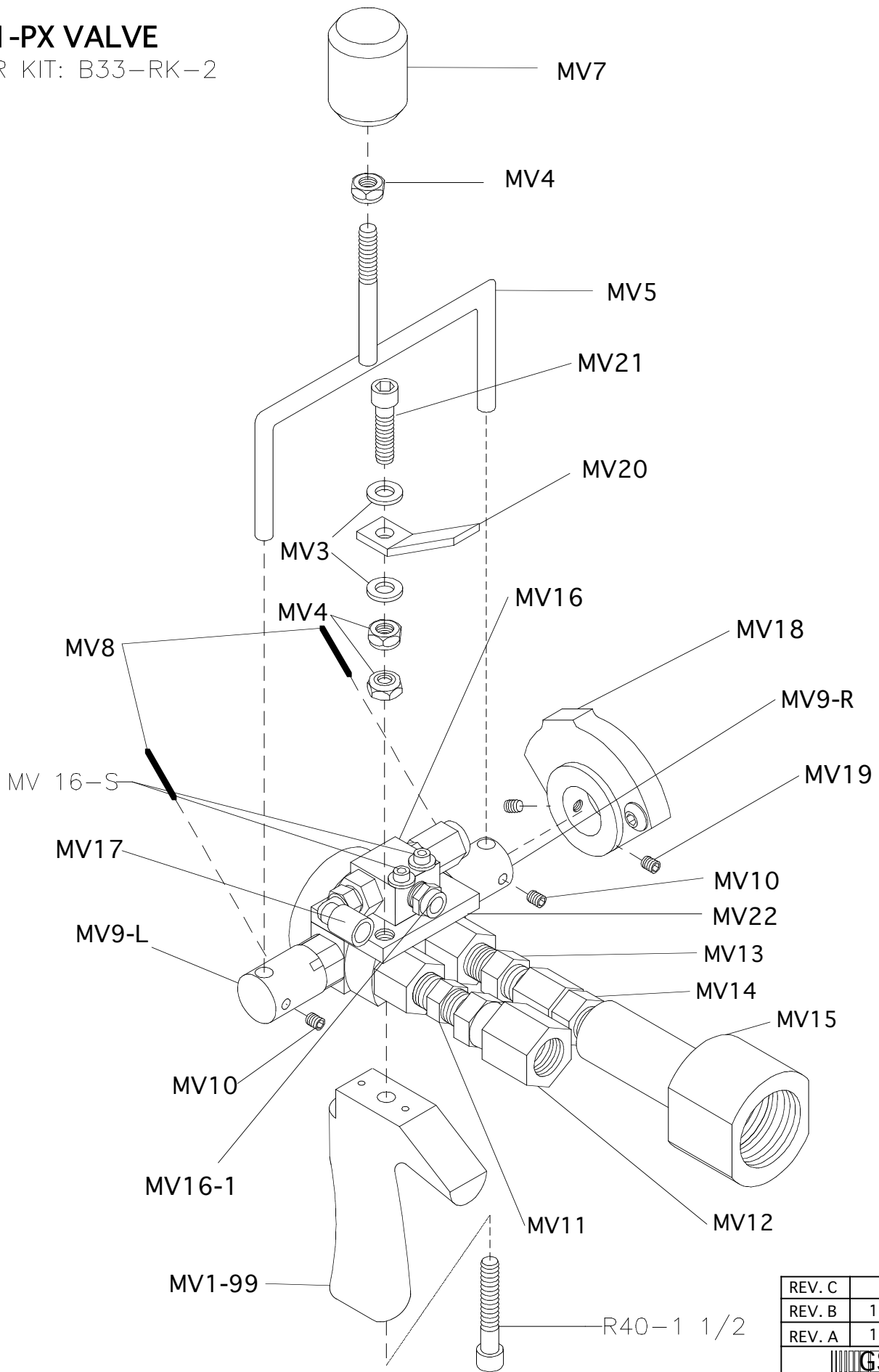


MV 01-PX VALVE

REPAIR KIT: B33-RK-2



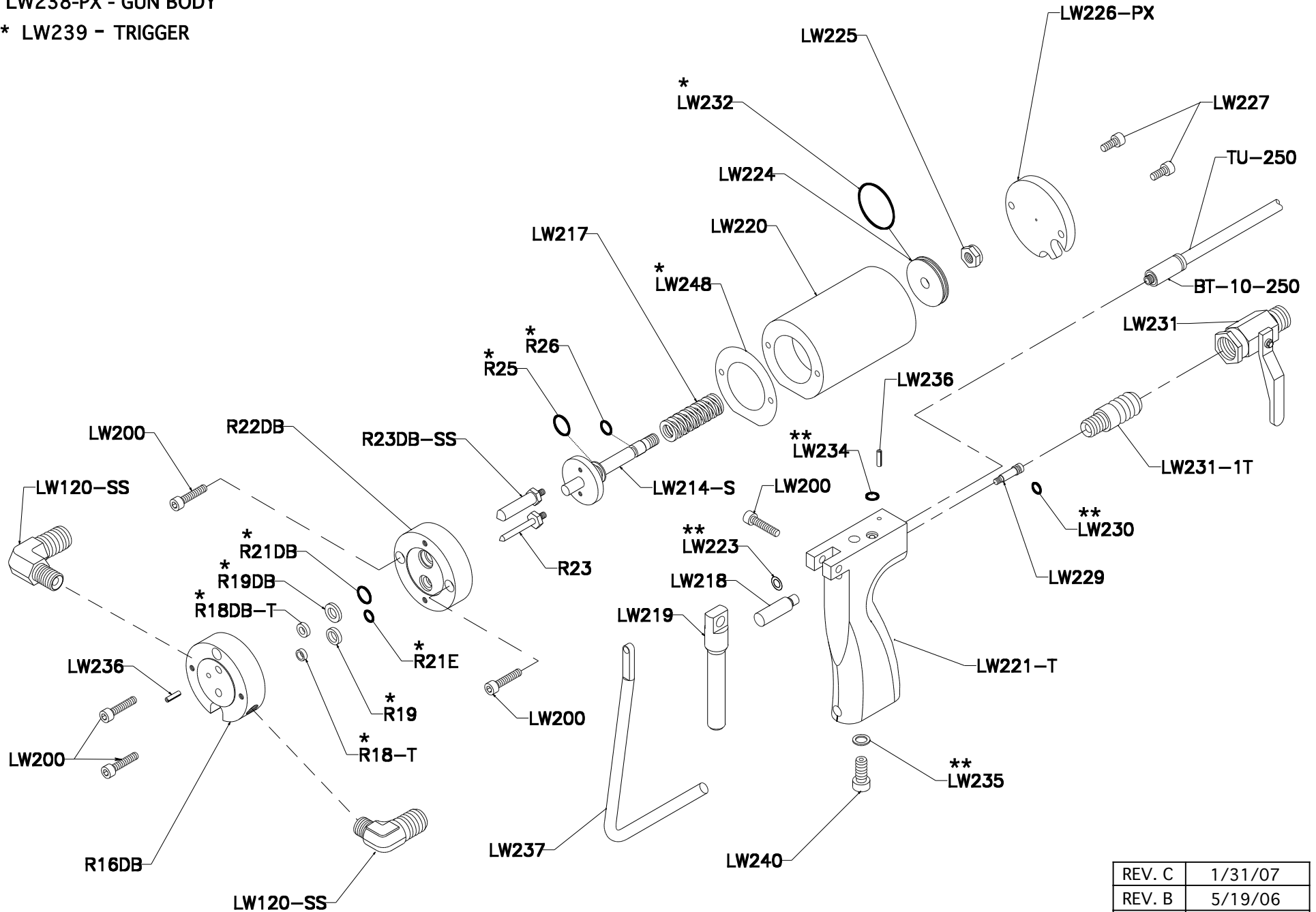
REV. C	
REV. B	1 / 2 / 09
REV. A	11/25/03

LW1000-99PX

REBUILD KITS:

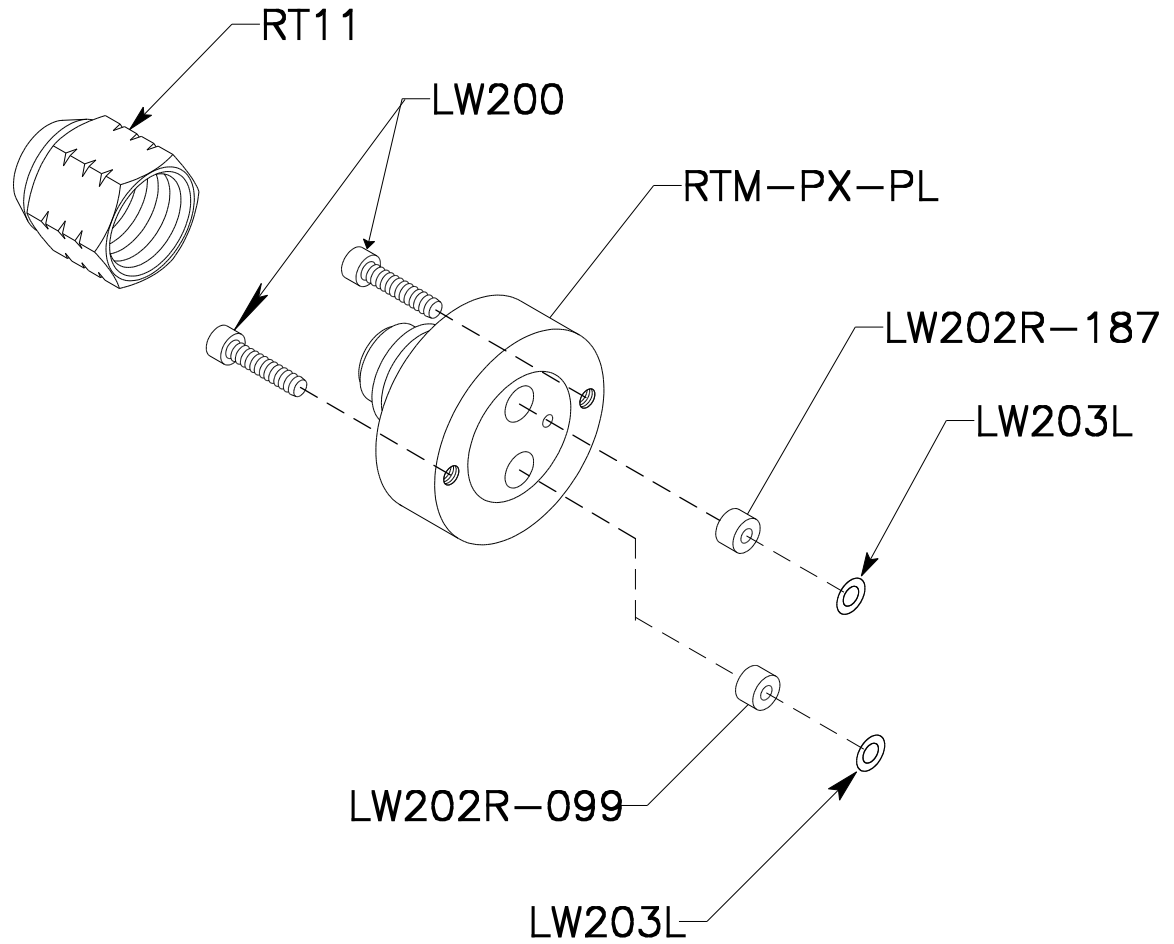
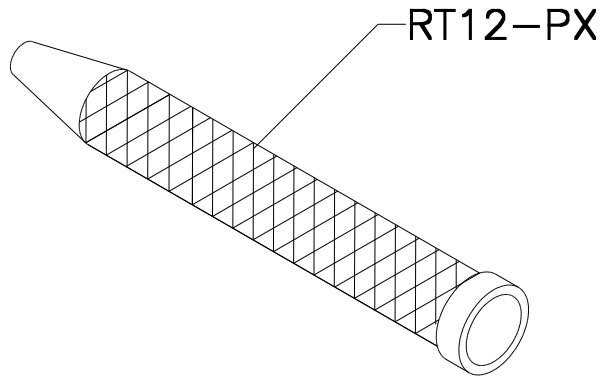
* LW238-PX - GUN BODY

** LW239 - TRIGGER



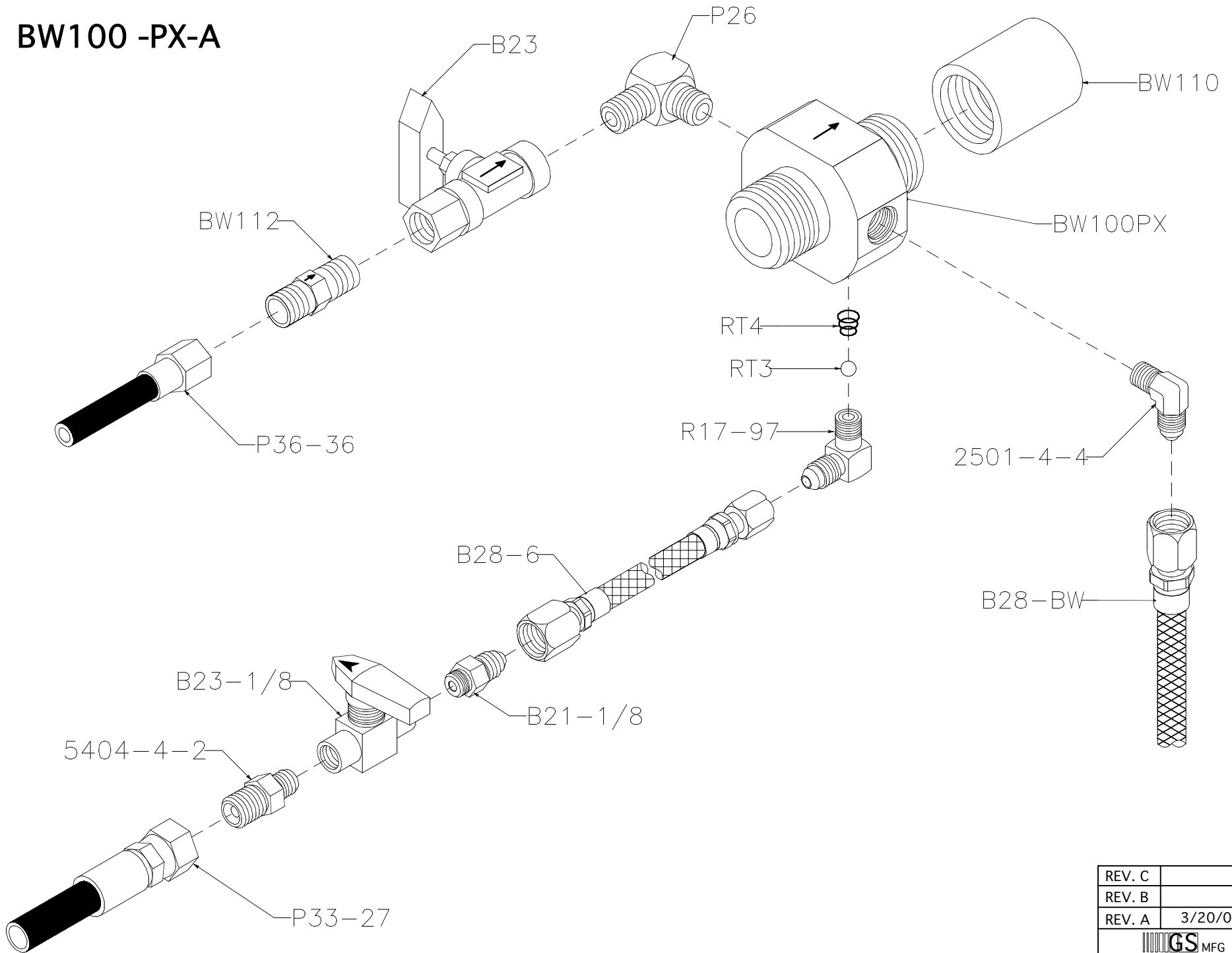
REV. C	1/31/07
REV. B	5/19/06
REV. A	5 / 5 /03

RTM-PX-PL-A
10-1 NOZZLE



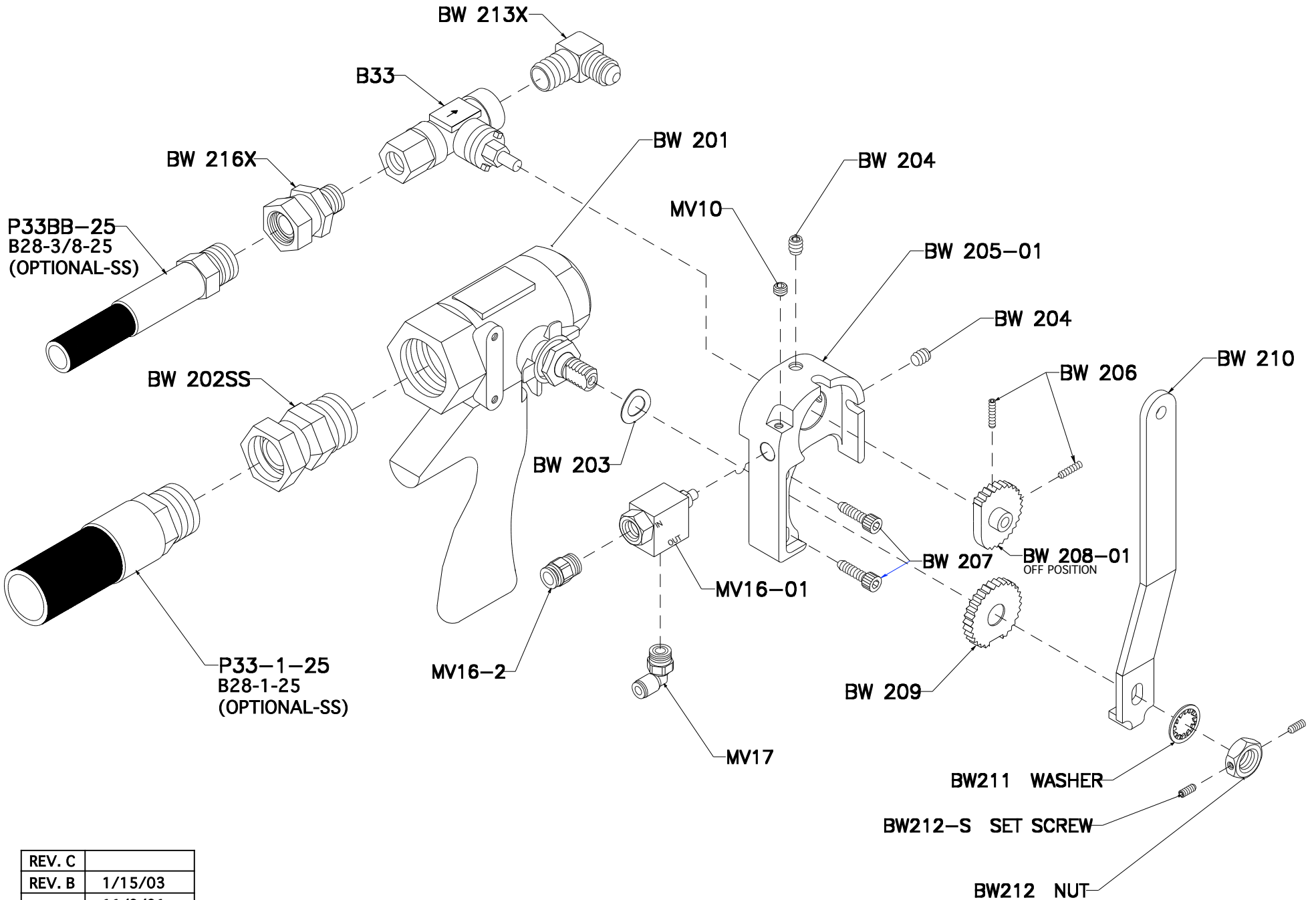
REV. C	
REV. B	6/3/14
REV. A	3/13/02
GS MFG	7/24/97

BW100 -PX-A



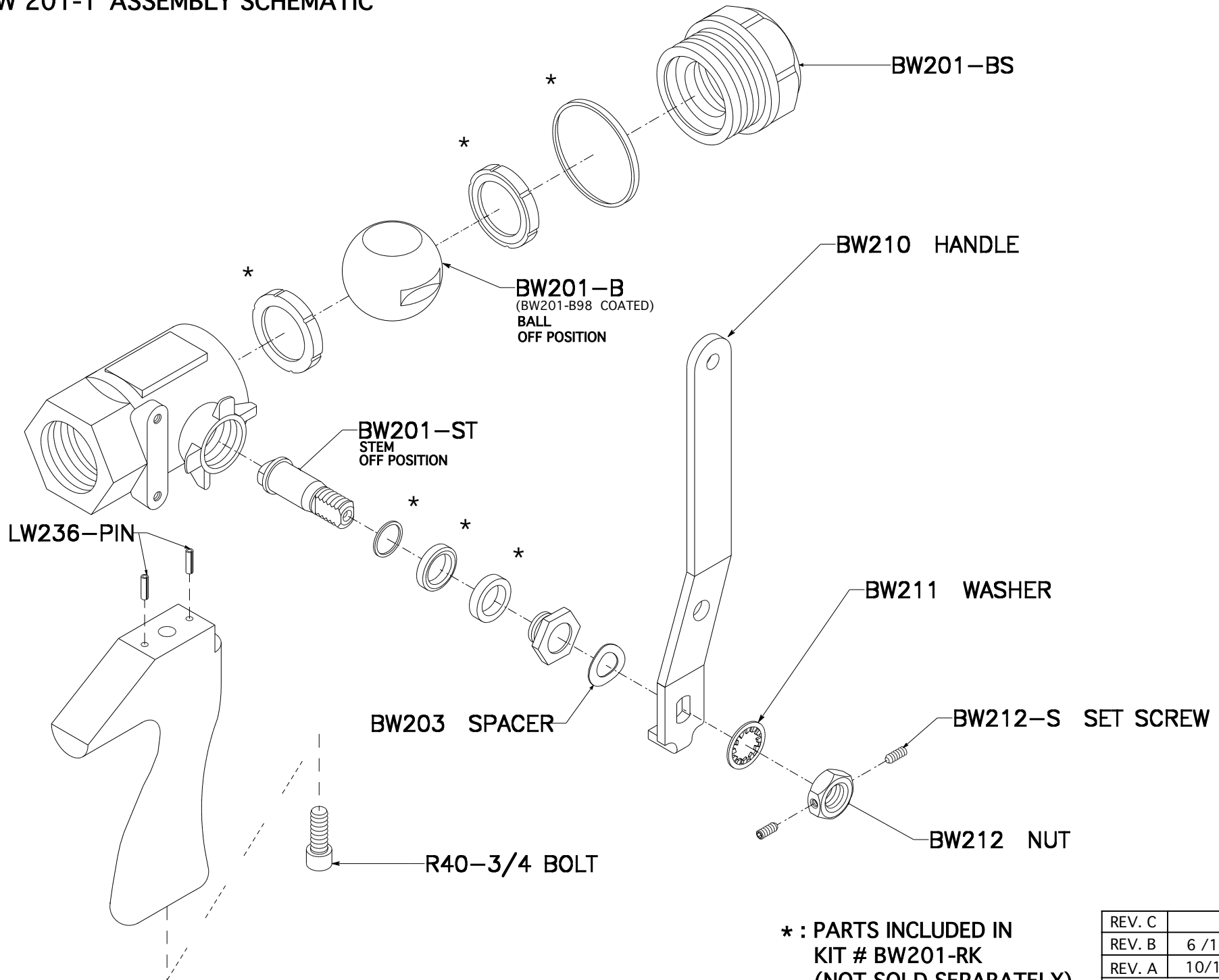
REV. C	
REV. B	
REV. A	3/20/03

BW200A-01PX



REV. C	
REV. B	1/15/03
REV. A	11/9/01

BW 201-1" ASSEMBLY SCHEMATIC

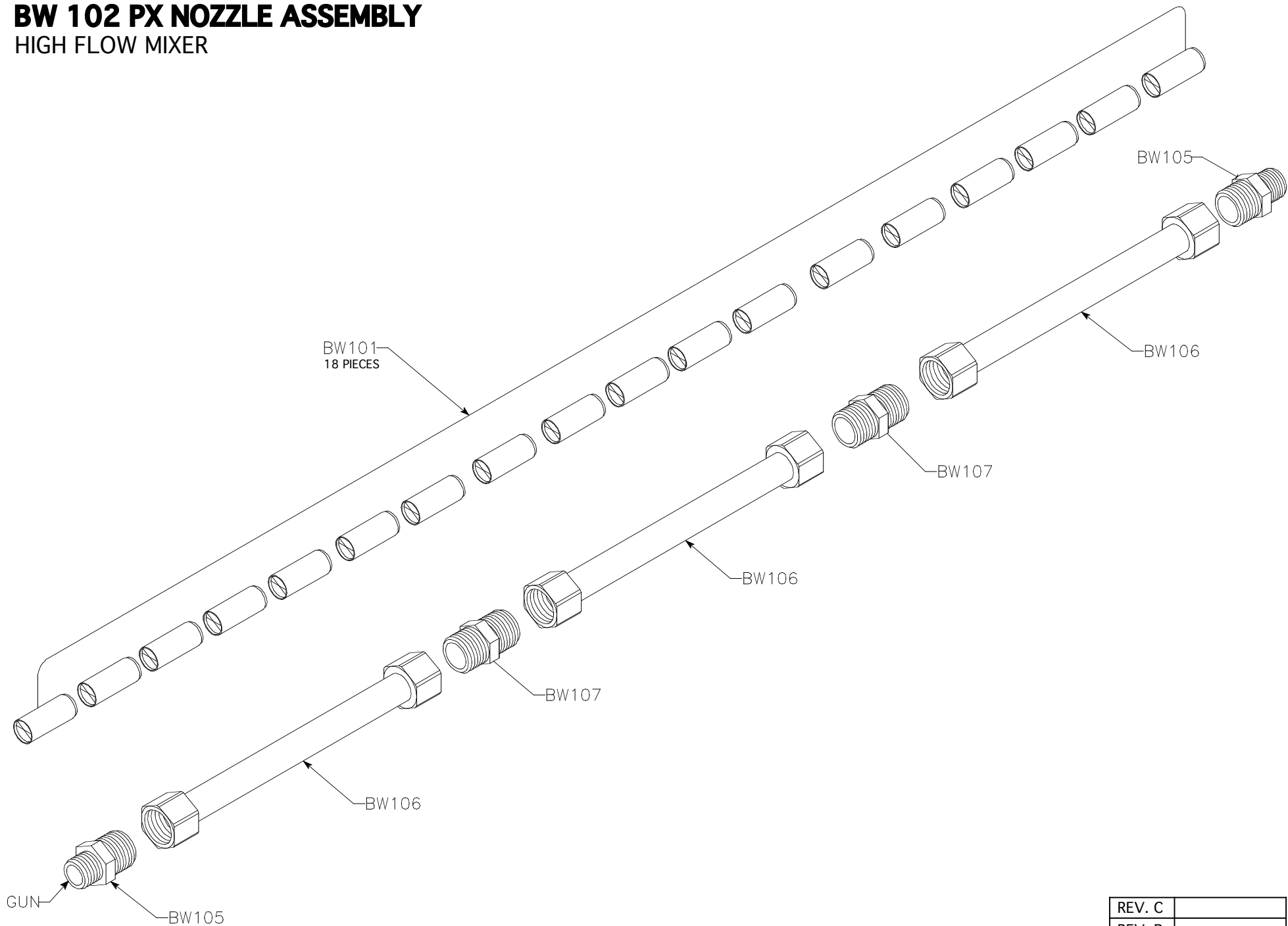



* : PARTS INCLUDED IN
 KIT # BW201-RK
 (NOT SOLD SEPARATELY)

REV. C	
REV. B	6 /14/04
REV. A	10/15/01

BW 102 PX NOZZLE ASSEMBLY

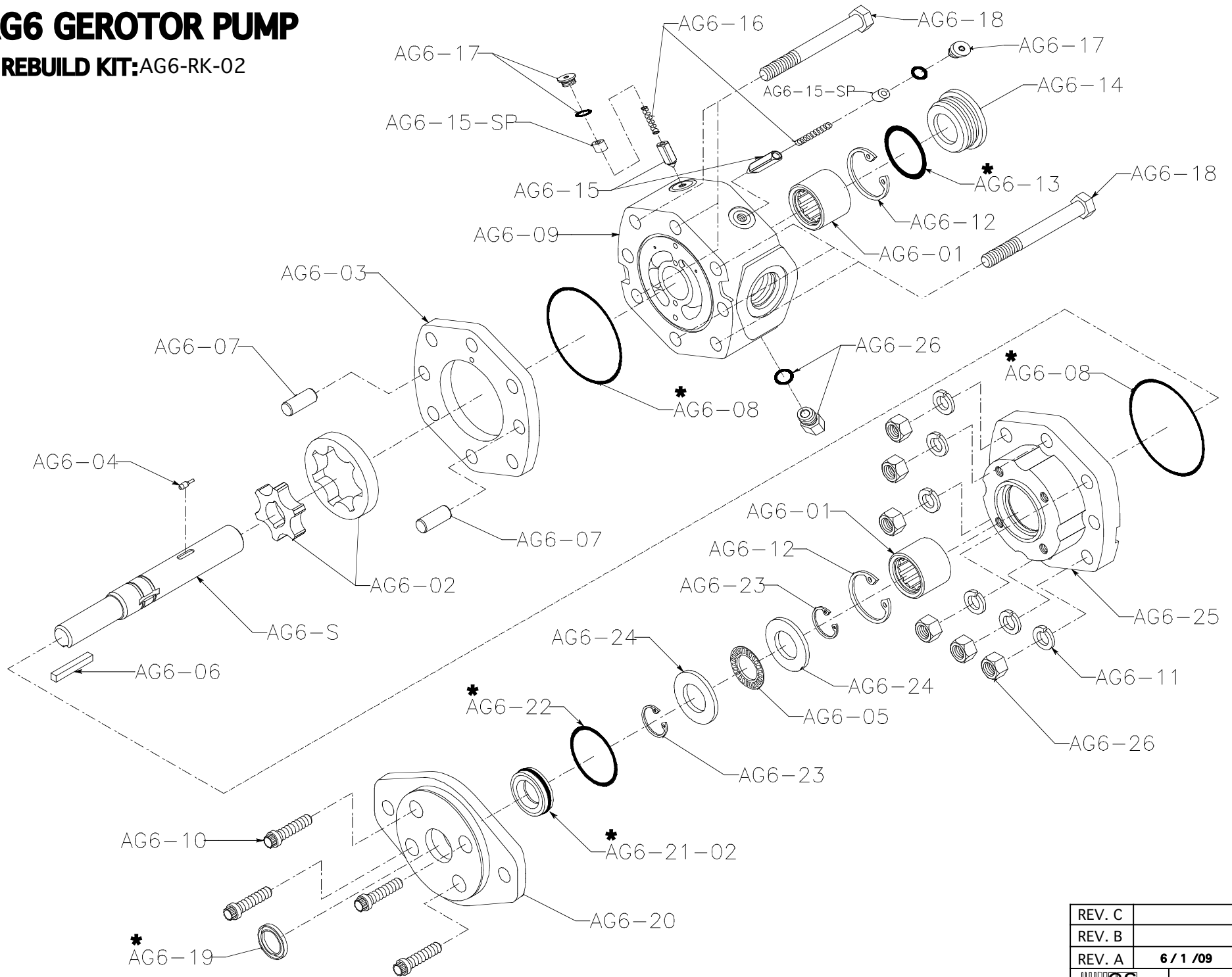
HIGH FLOW MIXER




REV. C	
REV. B	
REV. A	12 / 8 / 05
 MFG	2 / 8 / 02

AG6 GEROTOR PUMP

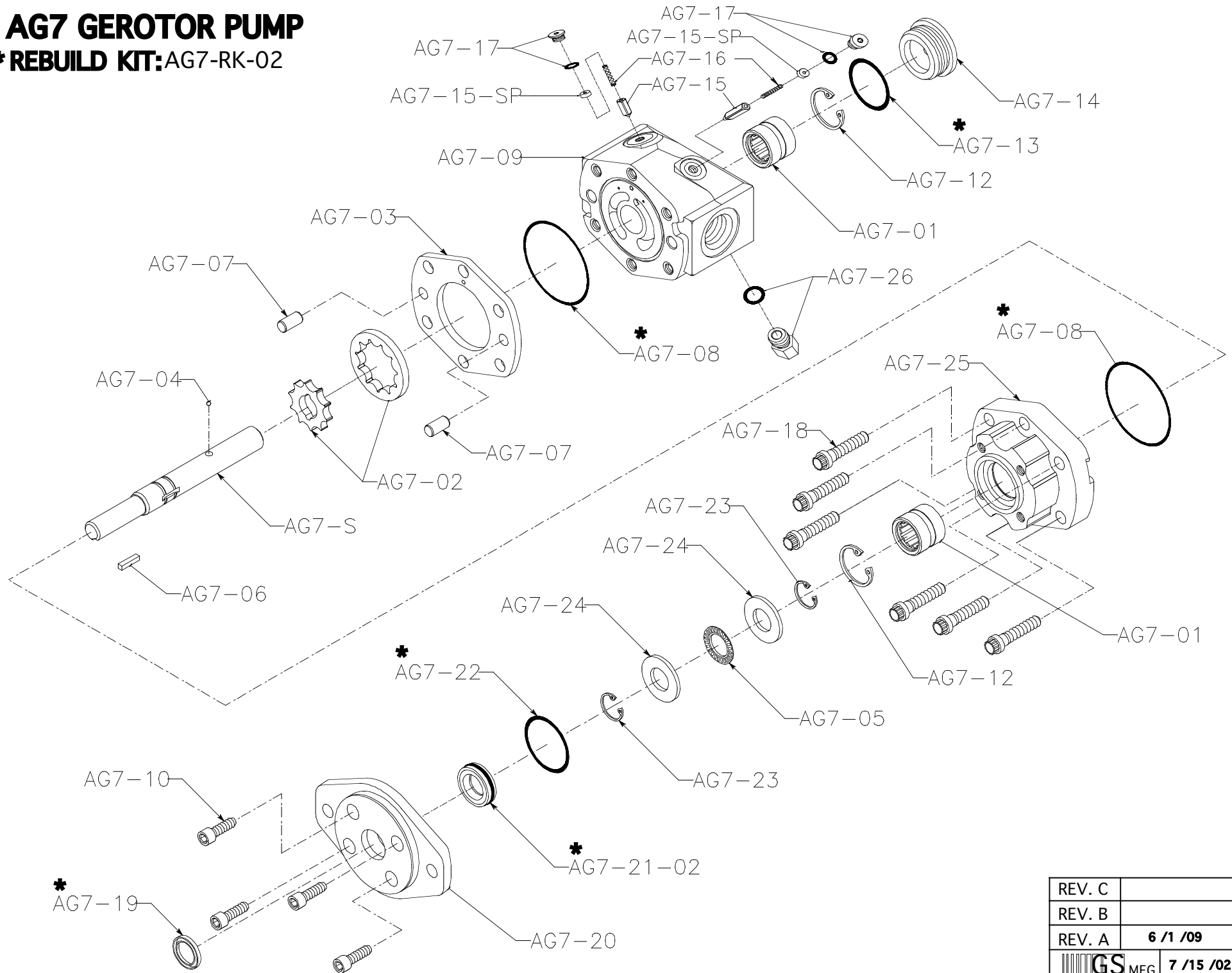
***REBUILD KIT:AG6-RK-02**




REV. C	
REV. B	
REV. A	6 / 1 / 09
 GS MFG	7 / 5 / 02

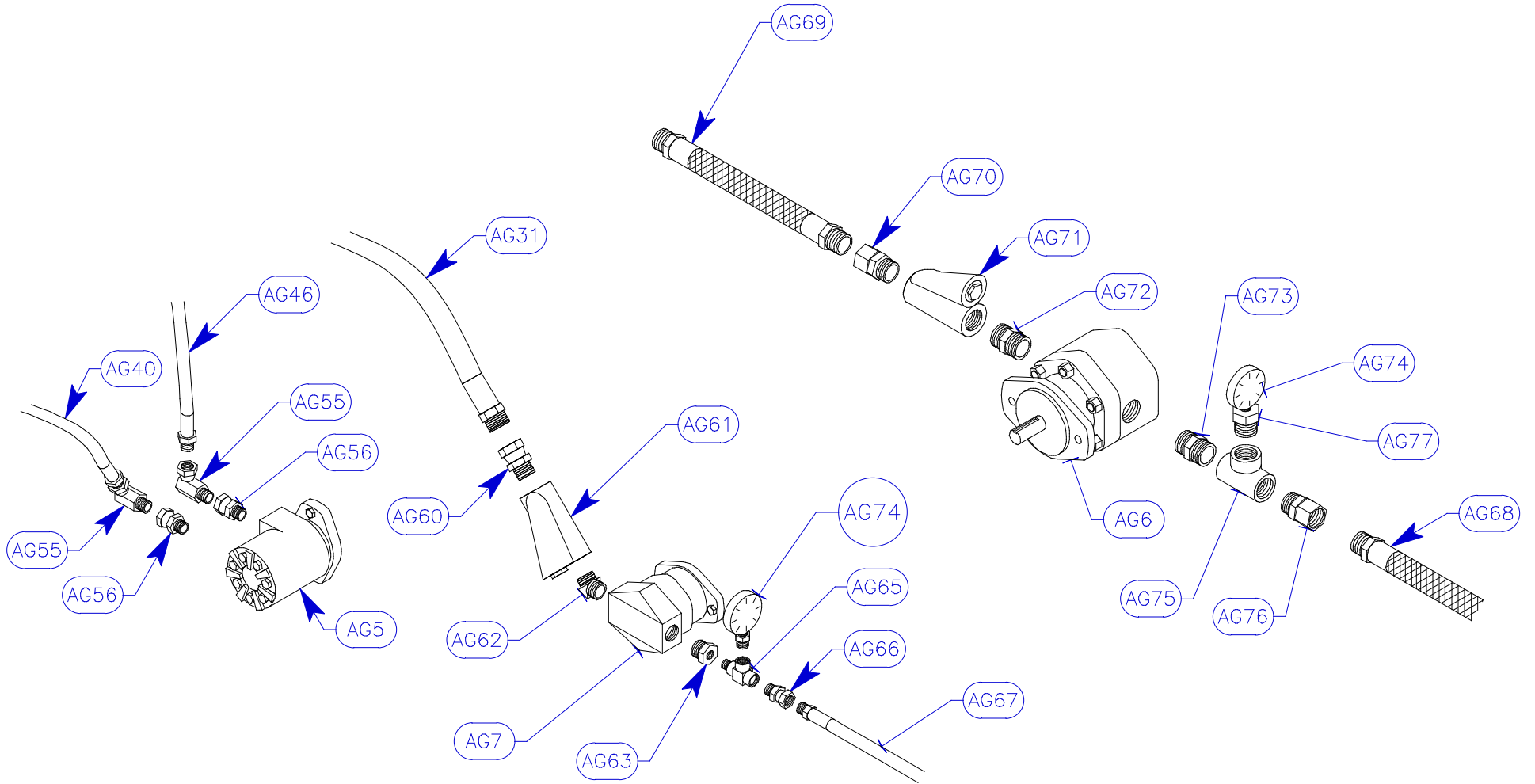
AG7 GEROTOR PUMP

***REBUILD KIT:AG7-RK-02**

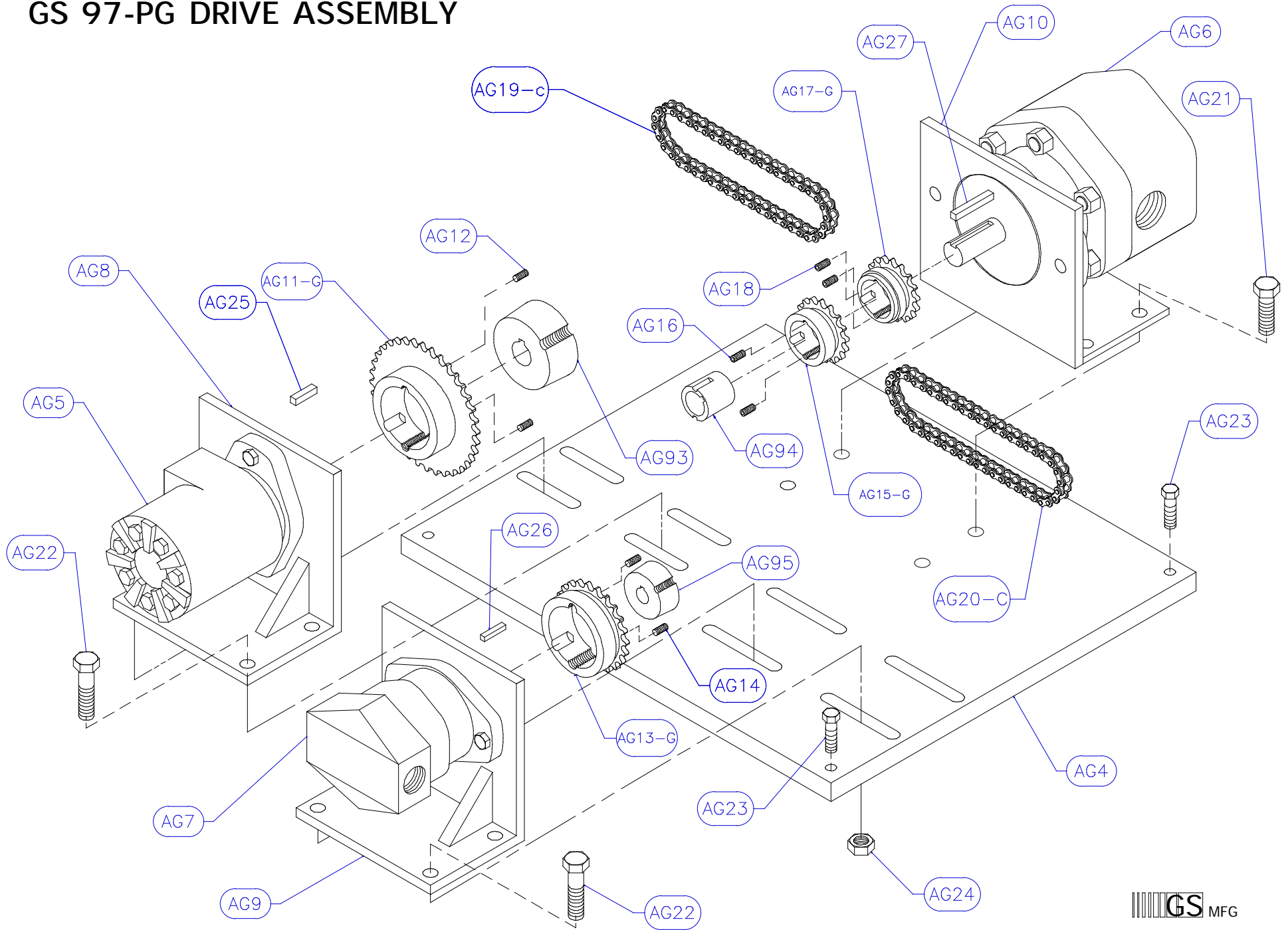


REV. C	
REV. B	
REV. A	6 /1 /09
 GS MFG	7 /15 /02

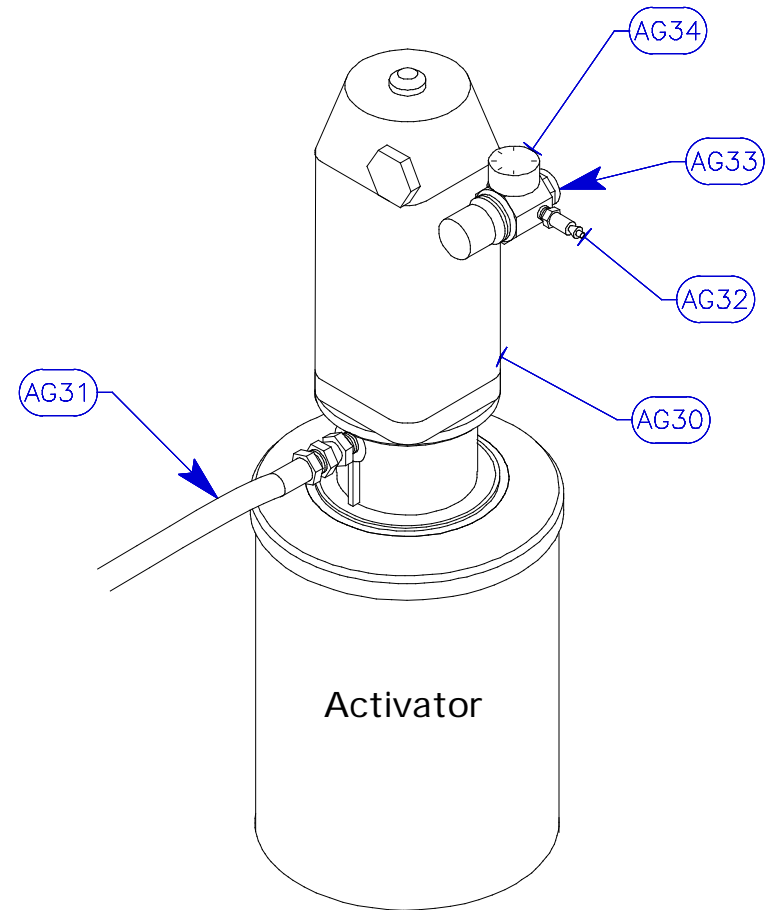
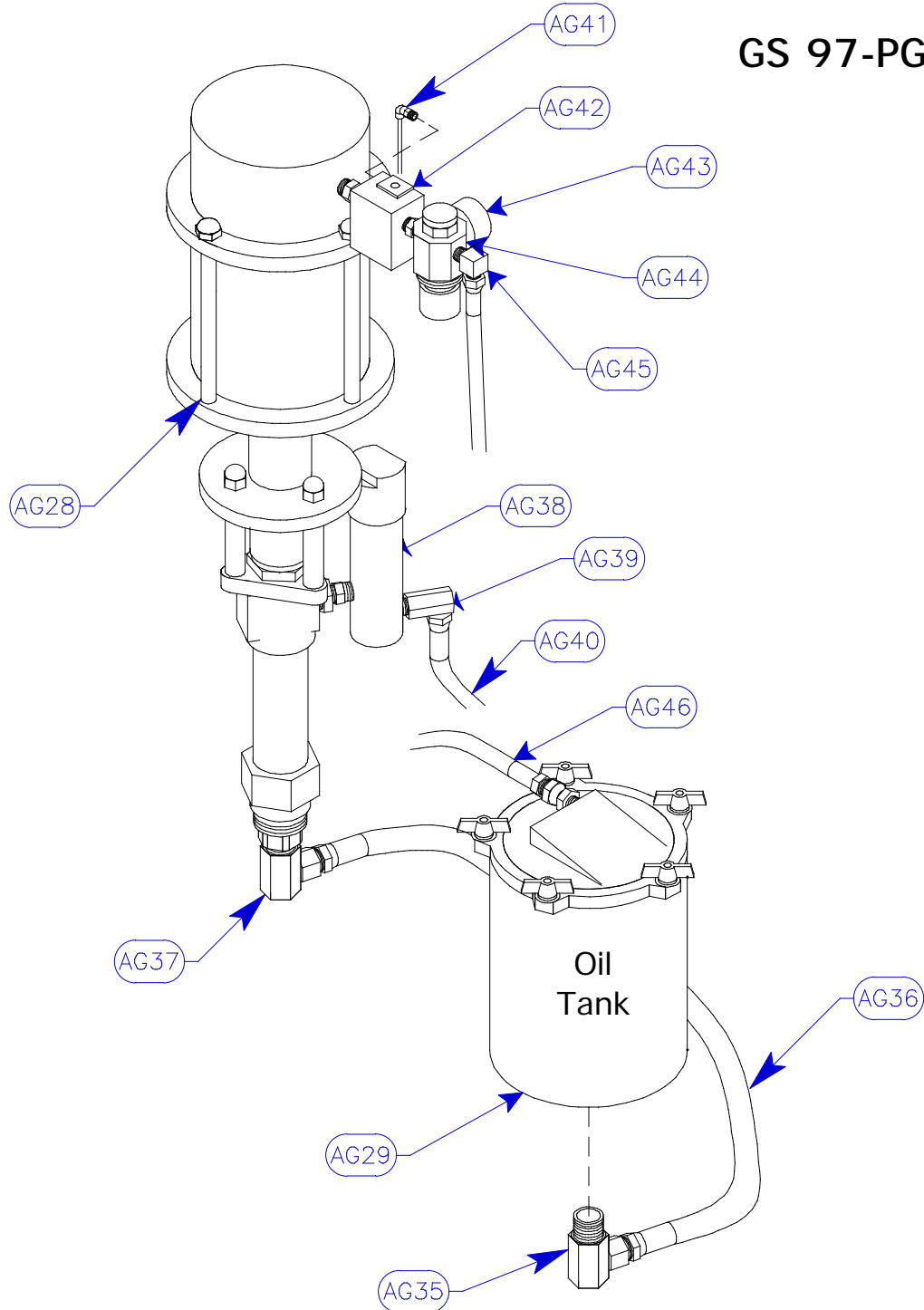
GS 97-PG Pumps, Fittings, and Hoses



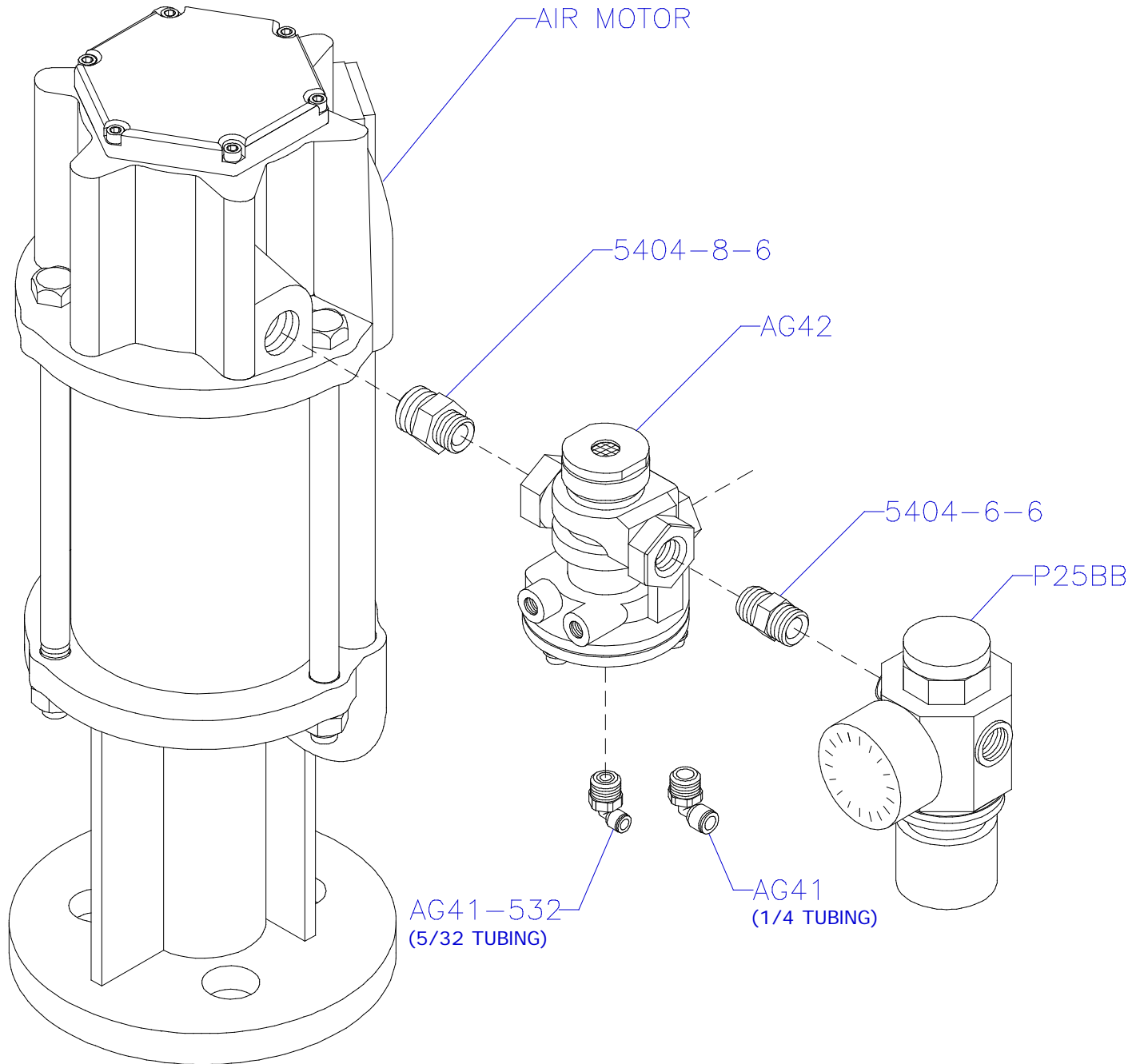
GS 97-PG DRIVE ASSEMBLY




GS 97-PG Hydraulic Pump / Activator Transfer

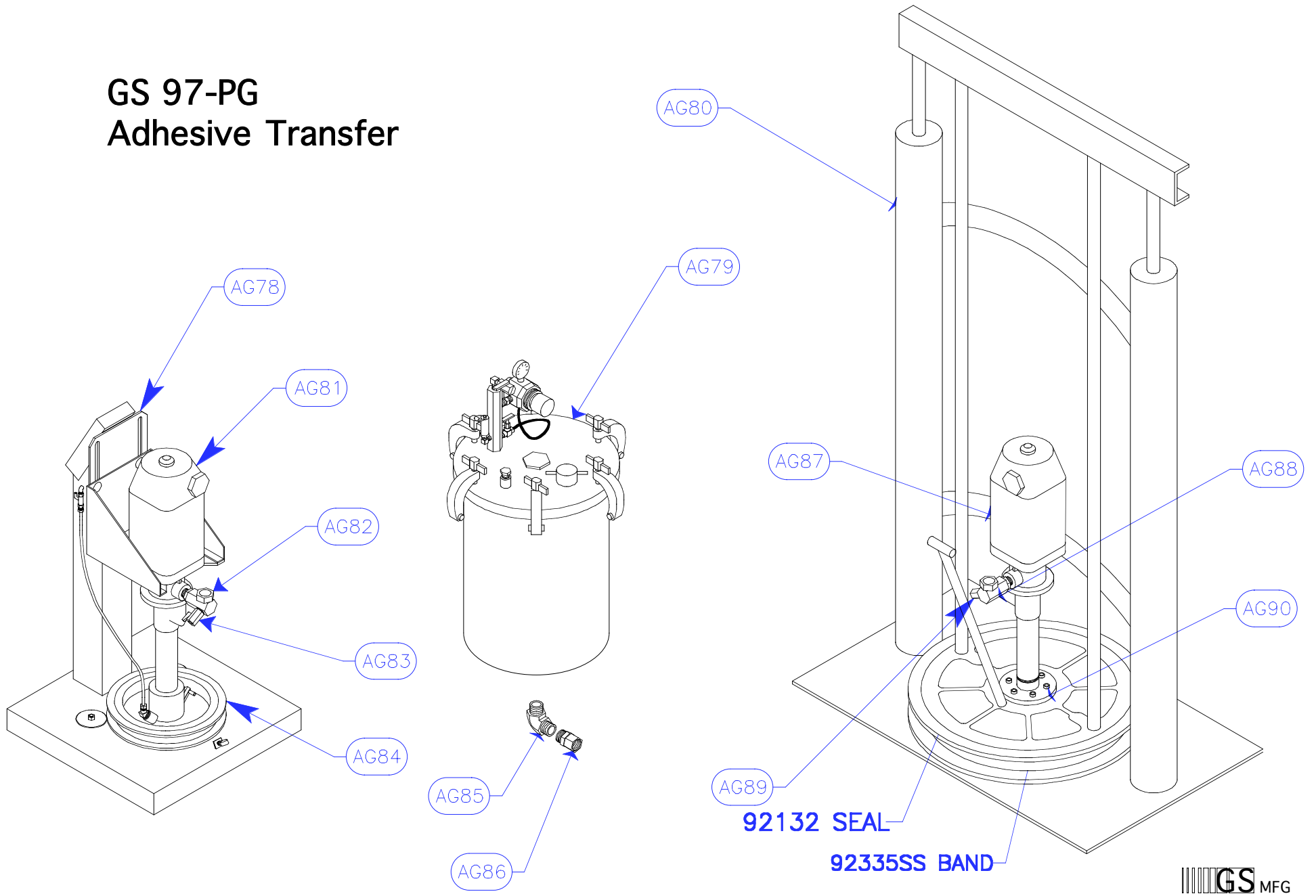


RAM / TRANSFER PUMP SHUTTLE ASSEMBLY

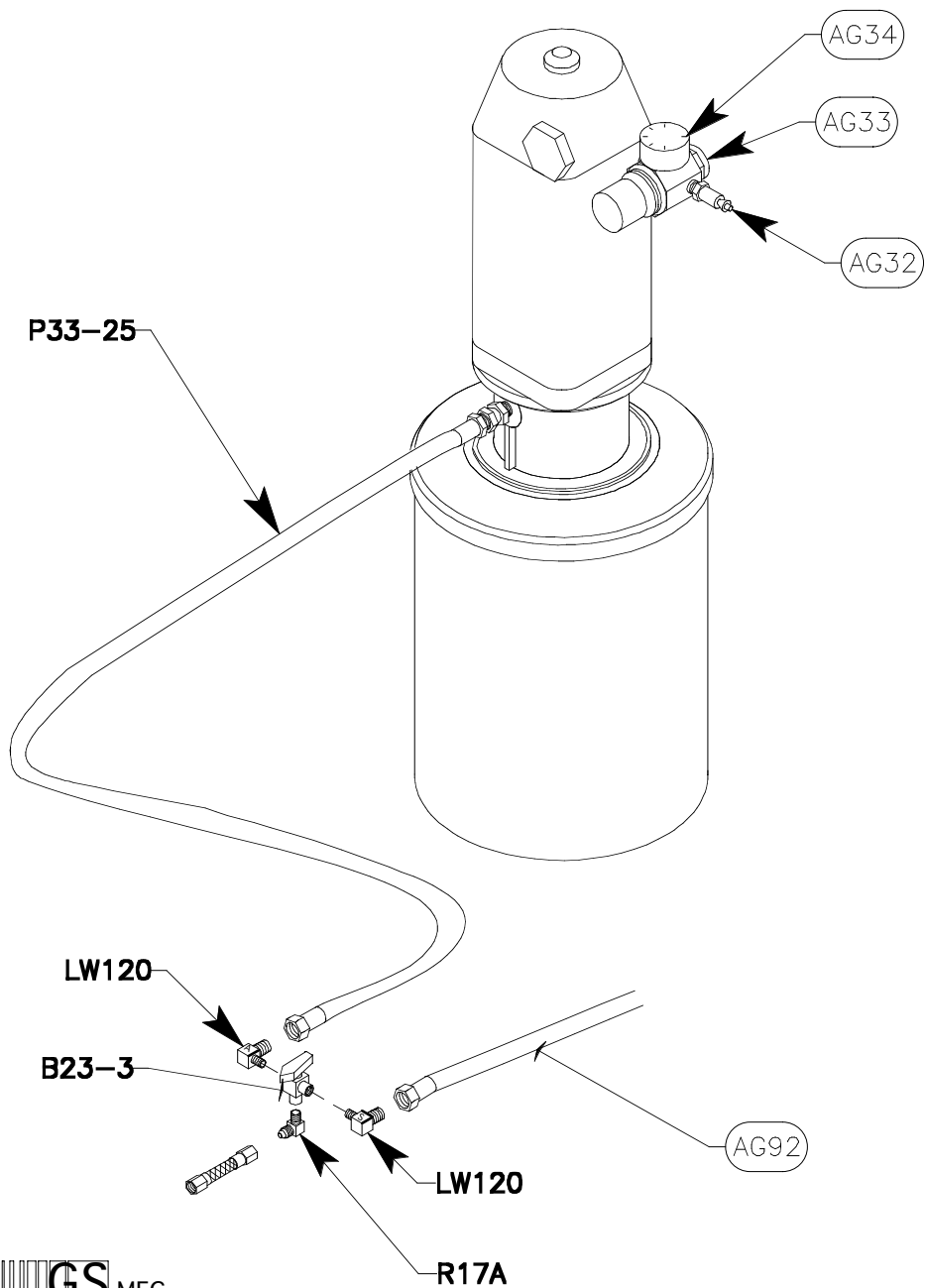


REV. C	
REV. B	
REV. A	12/17/01
	

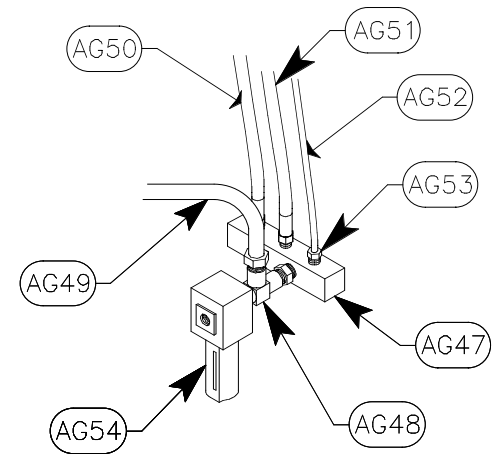
GS 97-PG Adhesive Transfer



Solvent Purge Assembly



Air Manifold (W/MVA 97 Nozzle)



Air Manifold (W/BW1000PX Nozzle)

