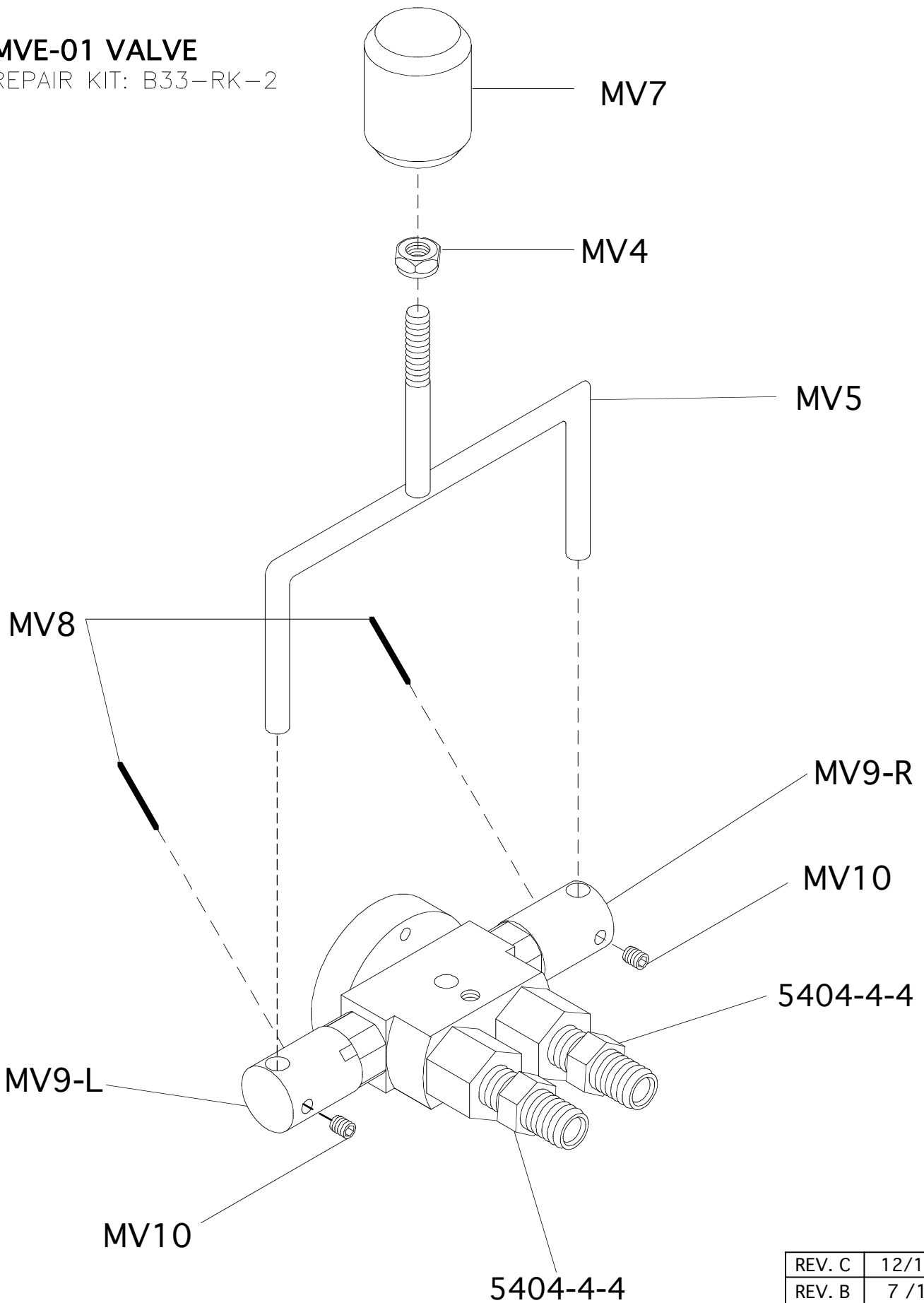



MVE-01 VALVE

REPAIR KIT: B33-RK-2

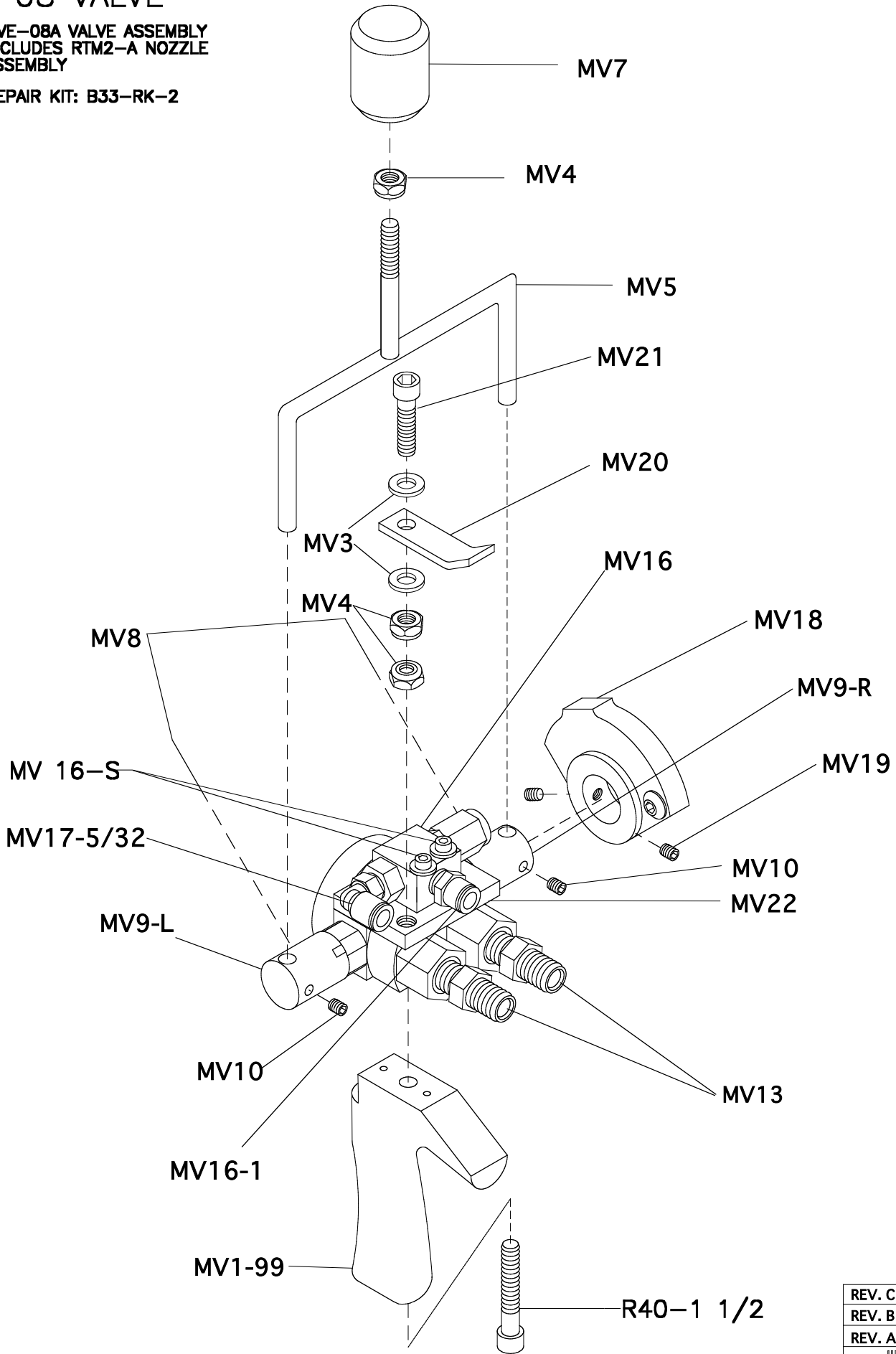


REV. C	12/15/08
REV. B	7 /15/07
REV. A	11 /25/03
 GS MFG	2 /14/01

MVE-08 VALVE

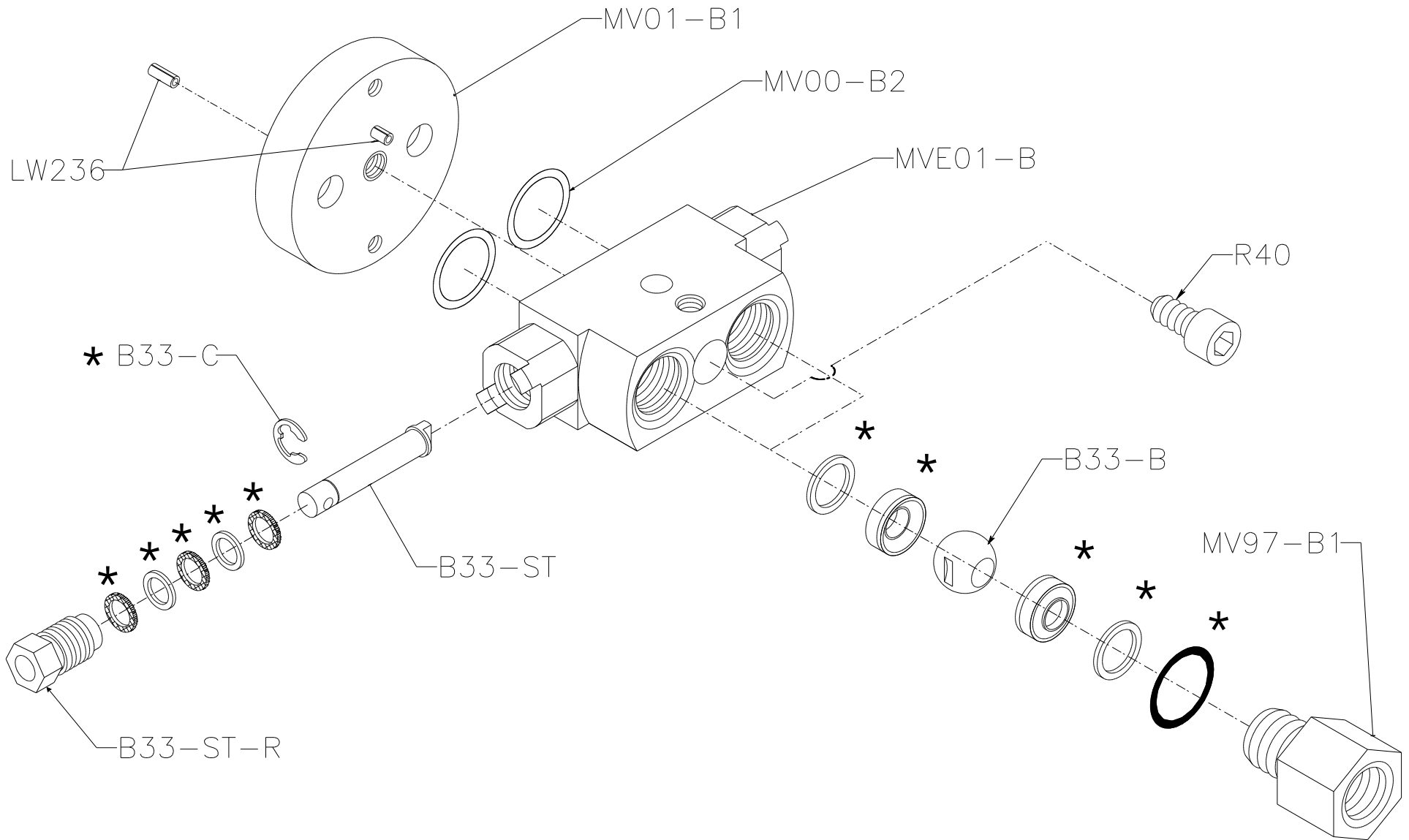
NOTE: MVE-08A VALVE ASSEMBLY
INCLUDES RTM2-A NOZZLE
ASSEMBLY

REPAIR KIT: B33-RK-2



REV. C	
REV. B	3/31/09
REV. A	1/2/09

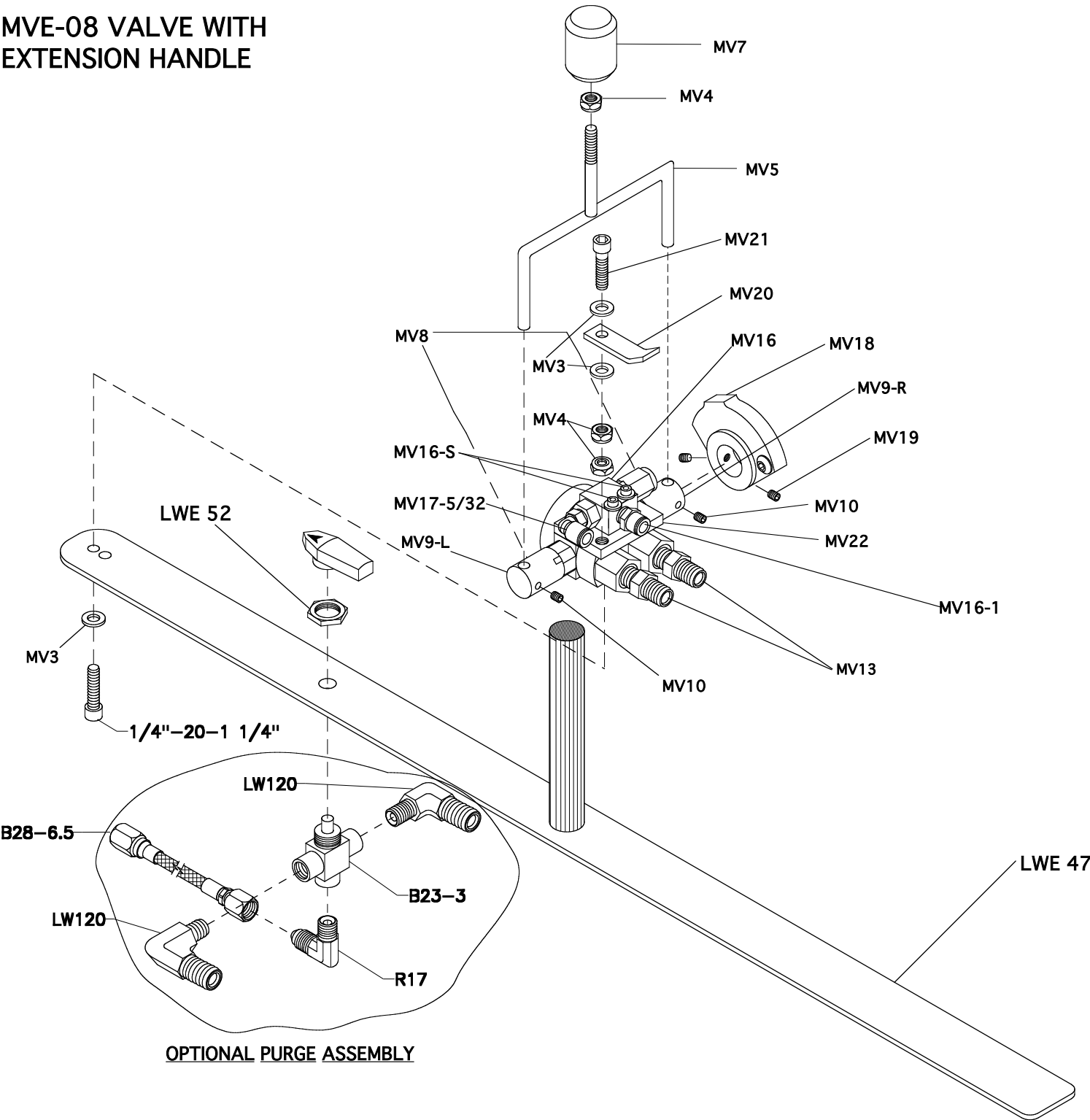
MVE01-BA BODY ASSEMBLY




*: REPAIR KIT: B33-RK-2

REV. C	1/ 5 /09
REV. B	7/11/07
REV. A	11/25/03

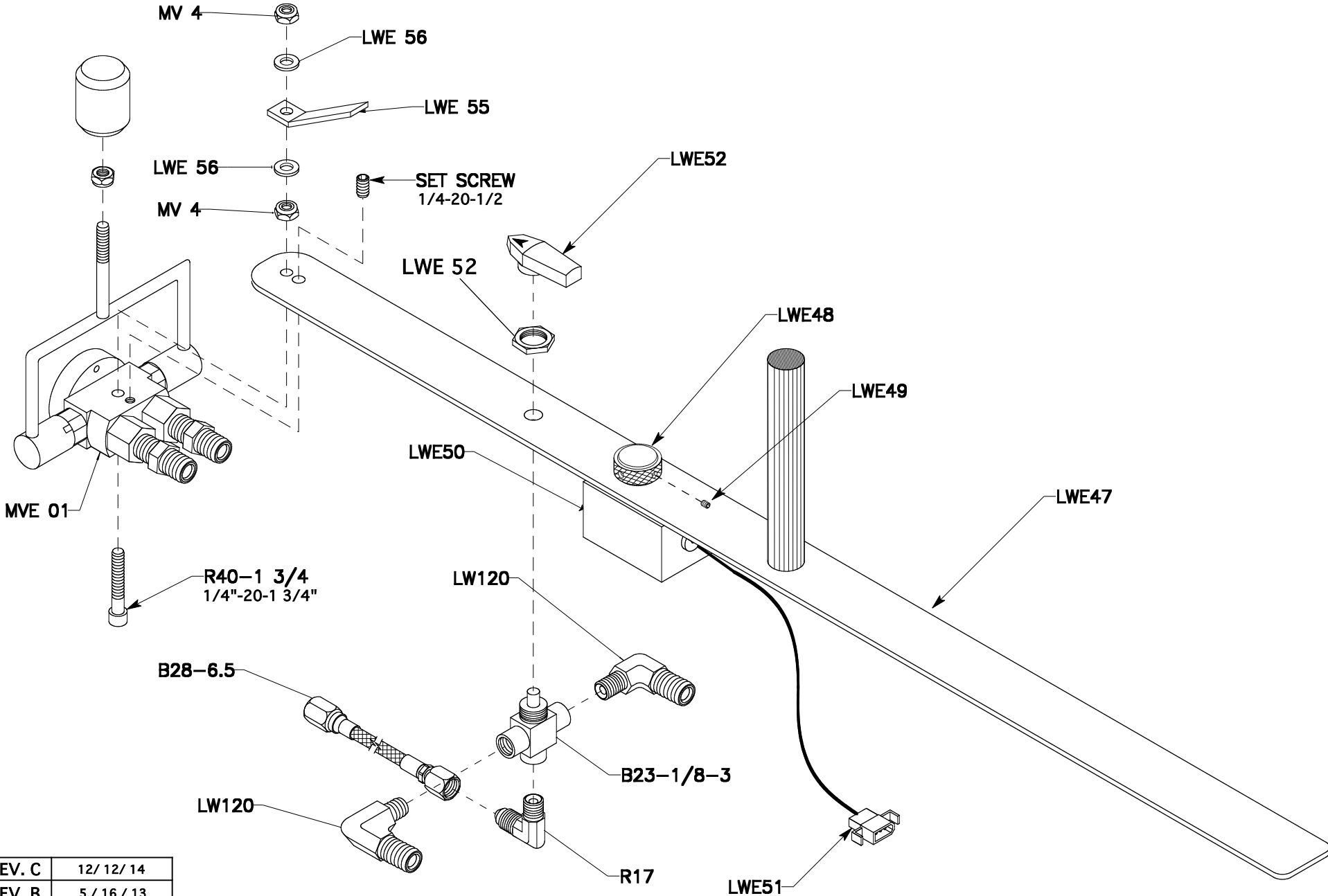
MVE-08 VALVE WITH EXTENSION HANDLE



OPTIONAL PURGE ASSEMBLY

REV. C	
REV. B	5 / 16 / 13
REV. A	5 / 24 / 04
 GS MFG	11 / 4 / 02

ELECTRIC WILLIE CONTROL VALVE / HANDLE



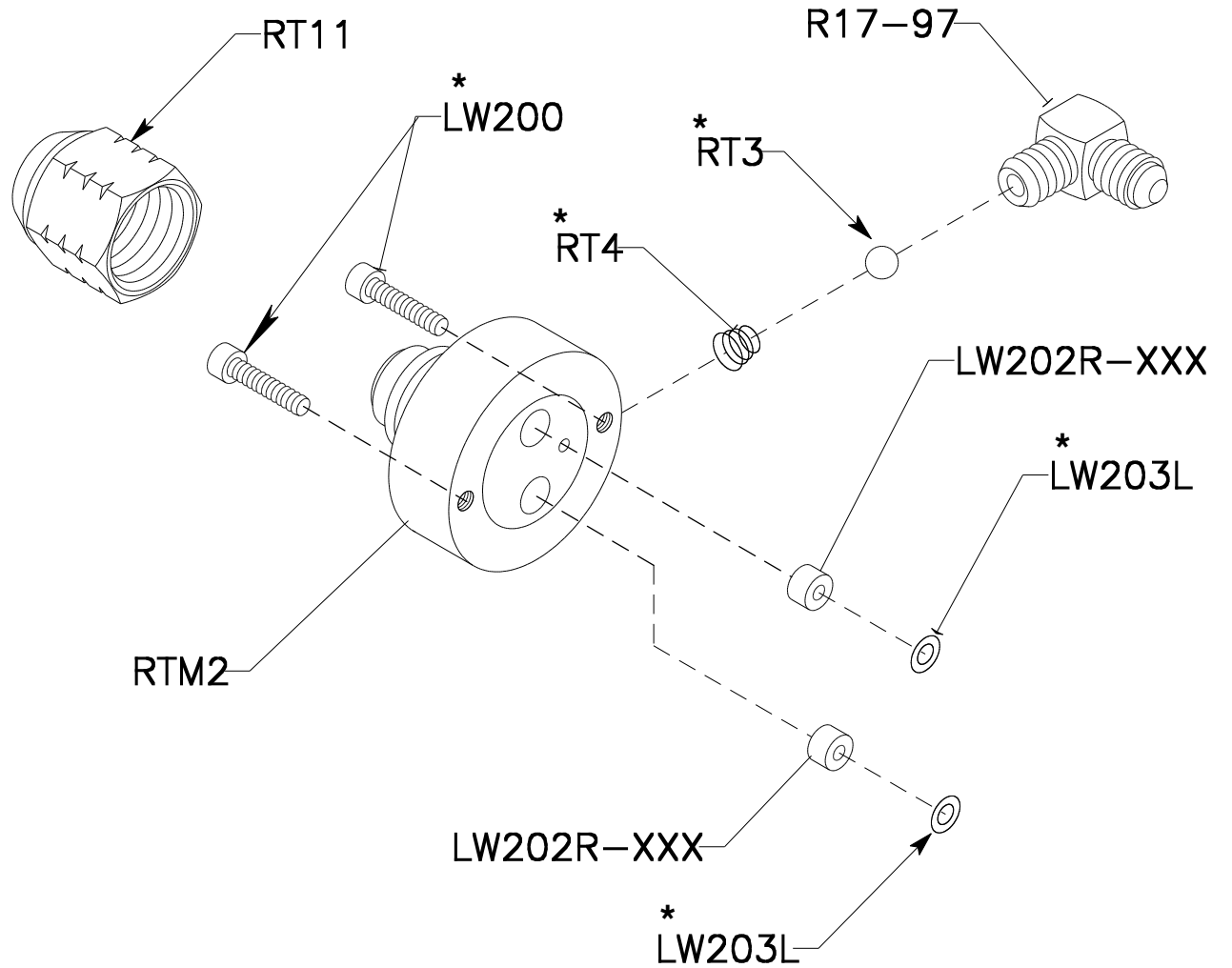
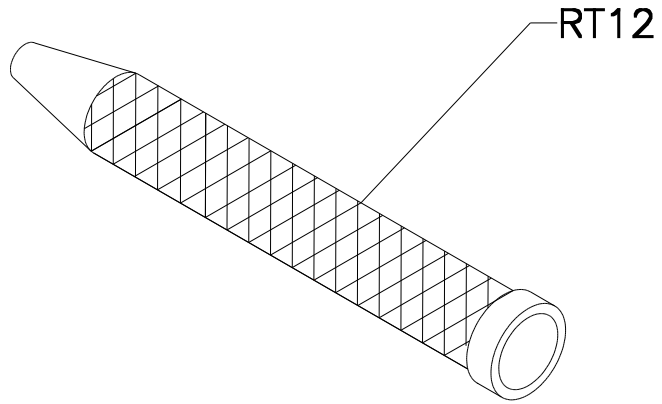
REV. C	12/12/14
REV. B	5/16/13
REV. A	5/24/04
GS MFG	11/4/02


RTM2-A

1-1 NOZZLE

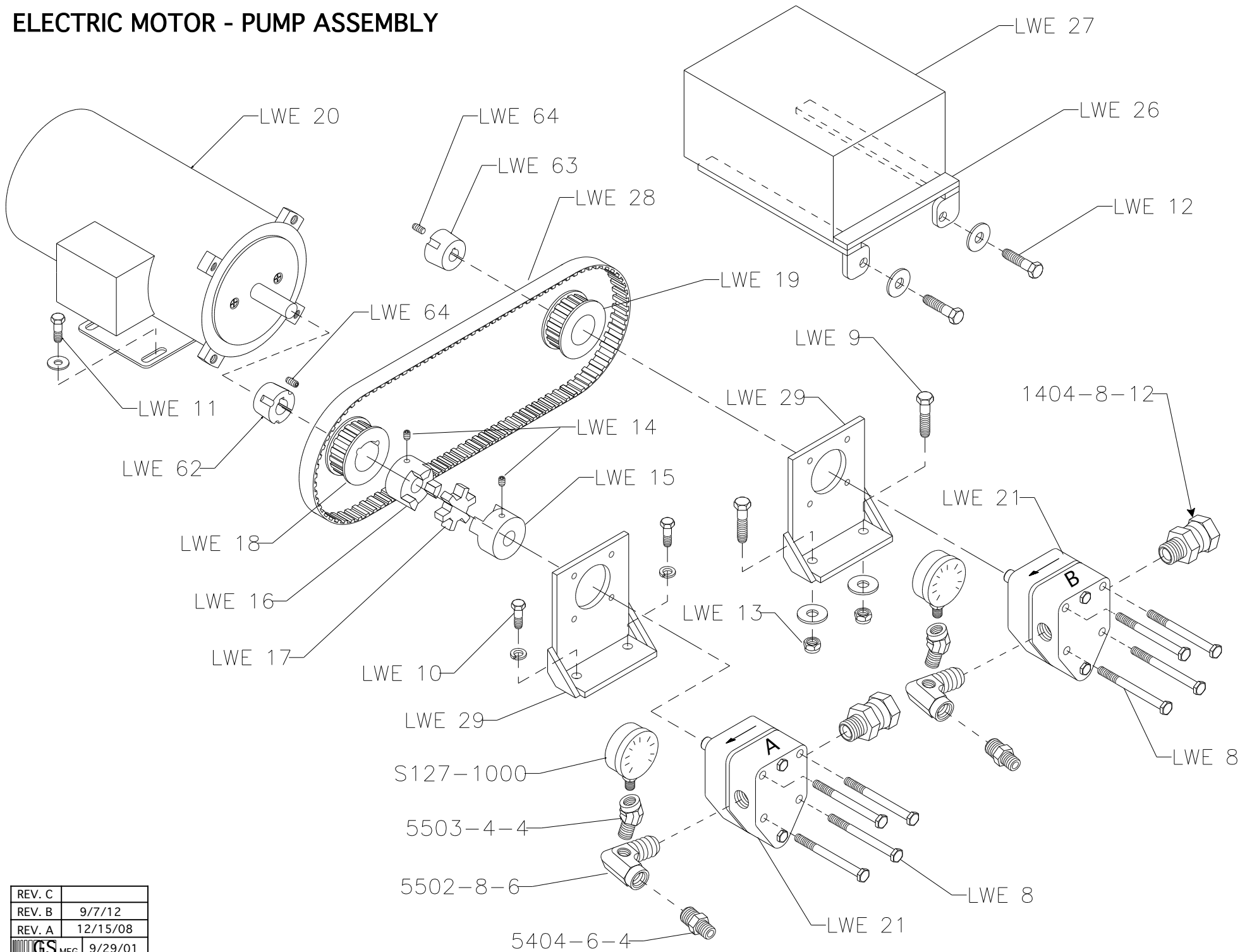
* :RTM2-RK

* :INDICATES PARTS INCLUDED IN KIT



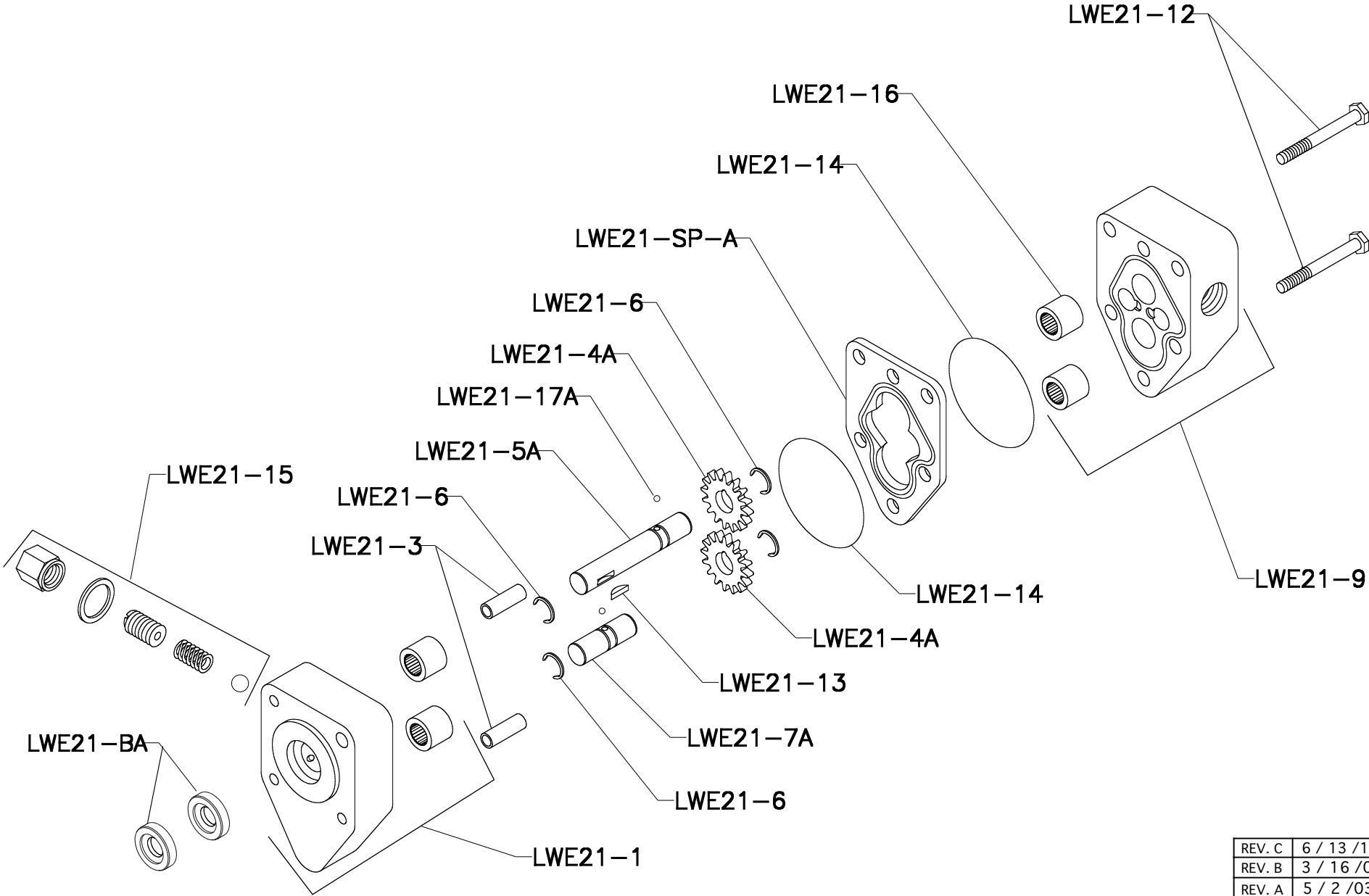
REV. C	
REV. B	
REV. A	6 /28/08
 MFG	12/14/00


ELECTRIC MOTOR - PUMP ASSEMBLY



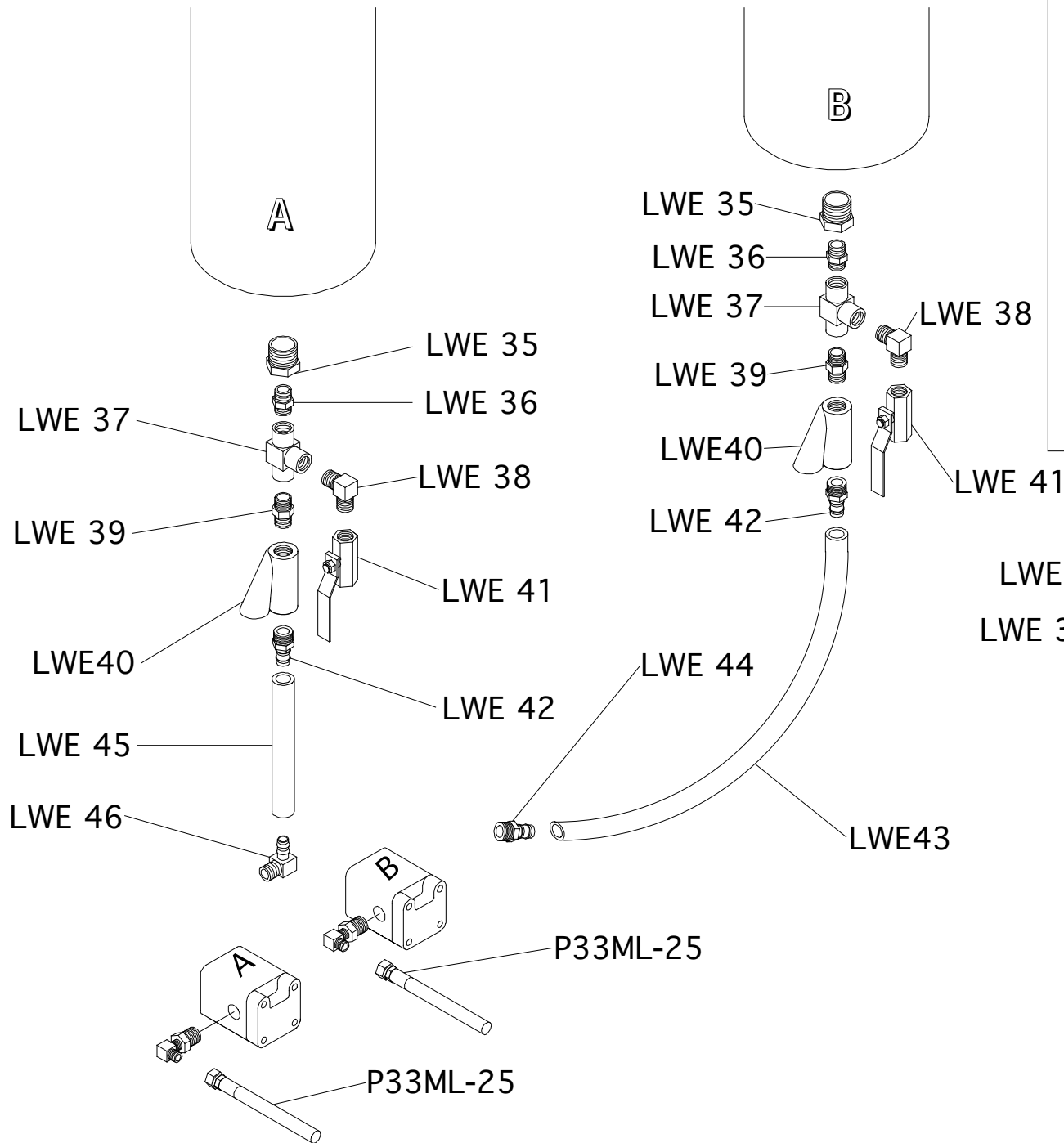
REV. C	
REV. B	9/7/12
REV. A	12/15/08
GS MFG	9/29/01

ELECTRIC WILLIE PUMP LWE 21

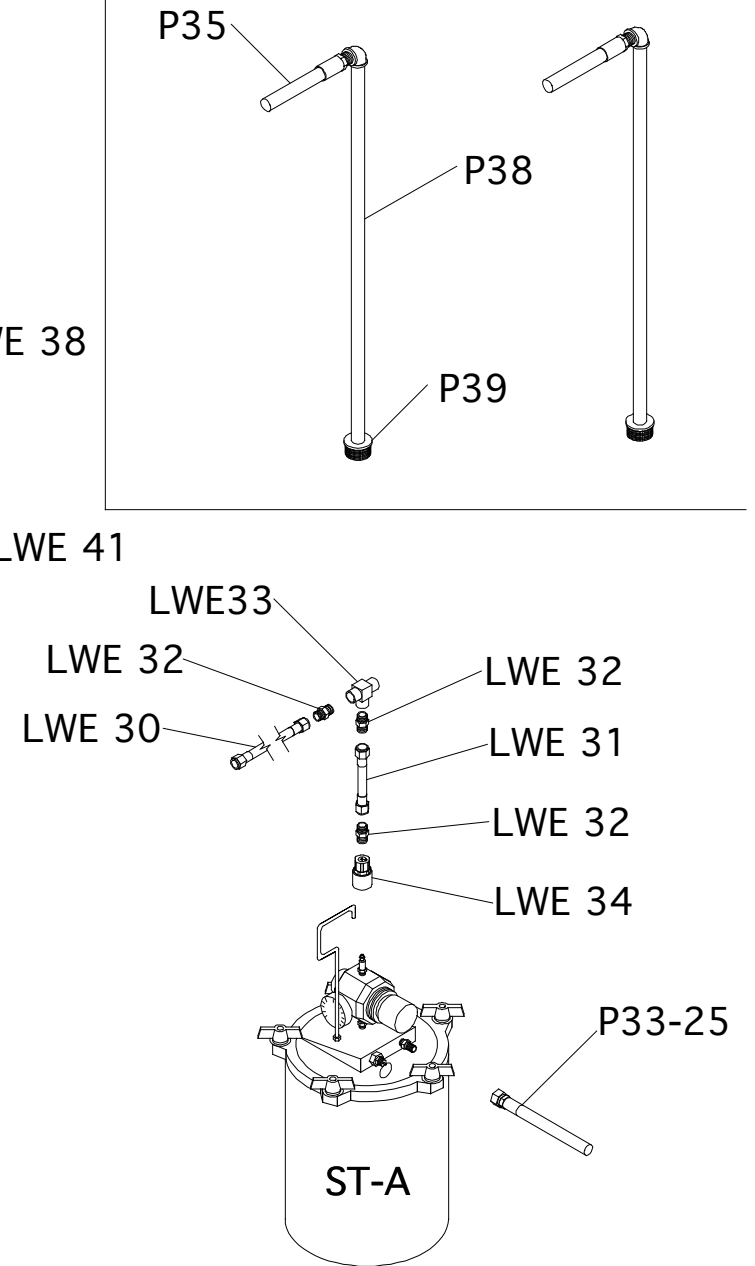


REV. C	6 / 13 / 13
REV. B	3 / 16 / 08
REV. A	5 / 2 / 03
 GS MFG	11/27/01

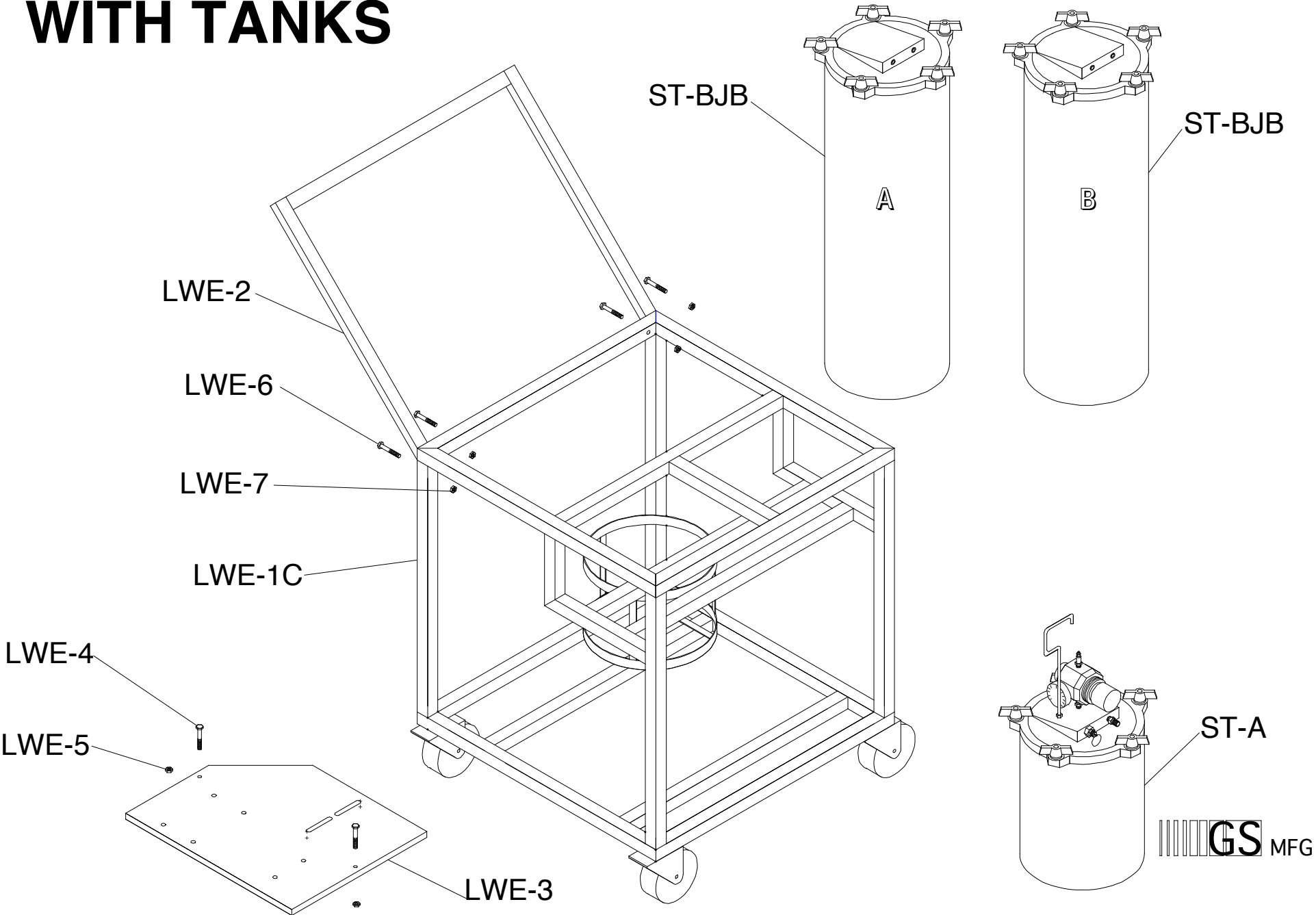
TANK FEED HOSES



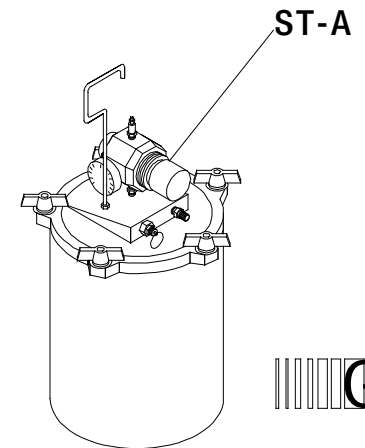
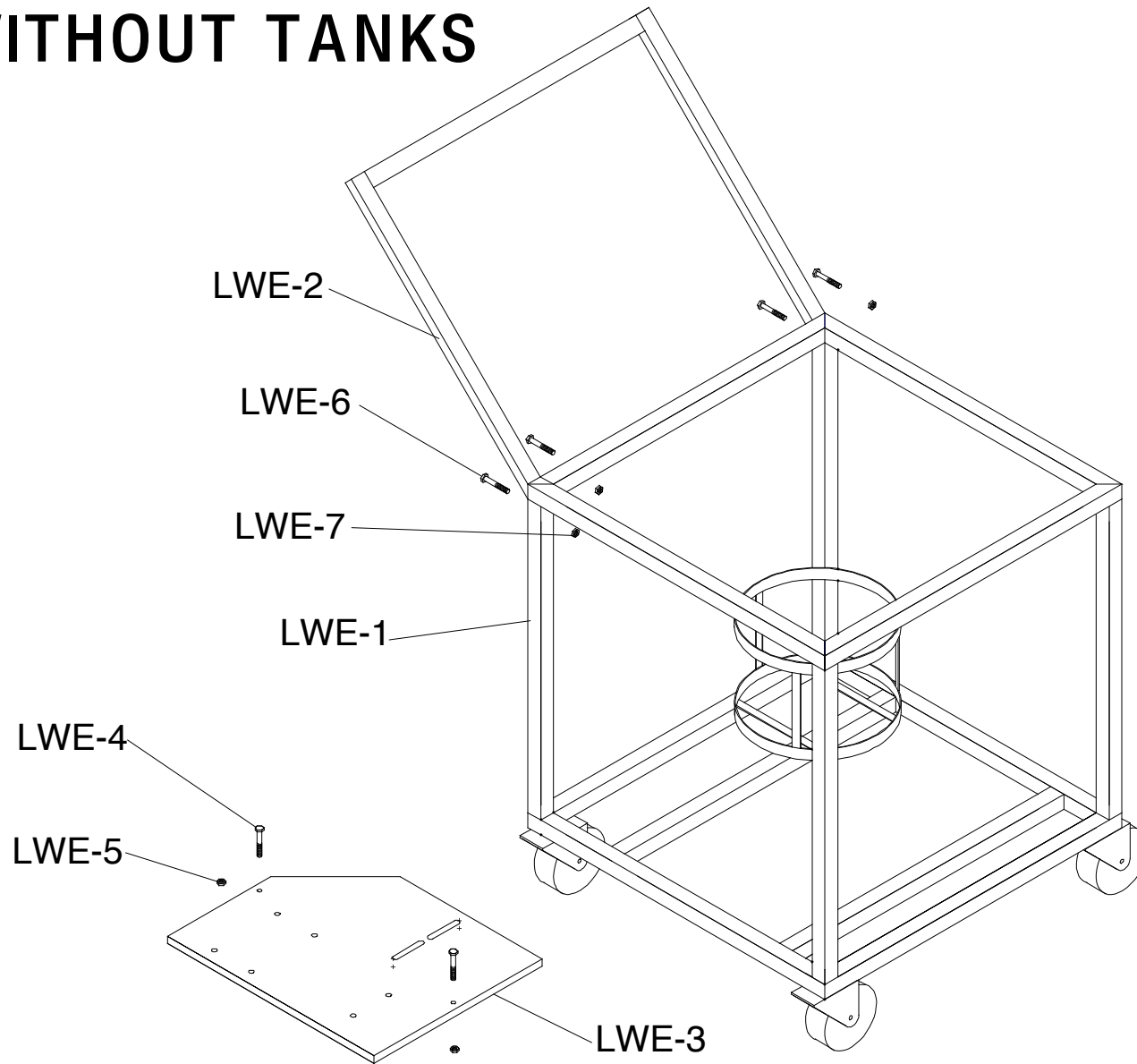
DRUM SIPHON HOSES



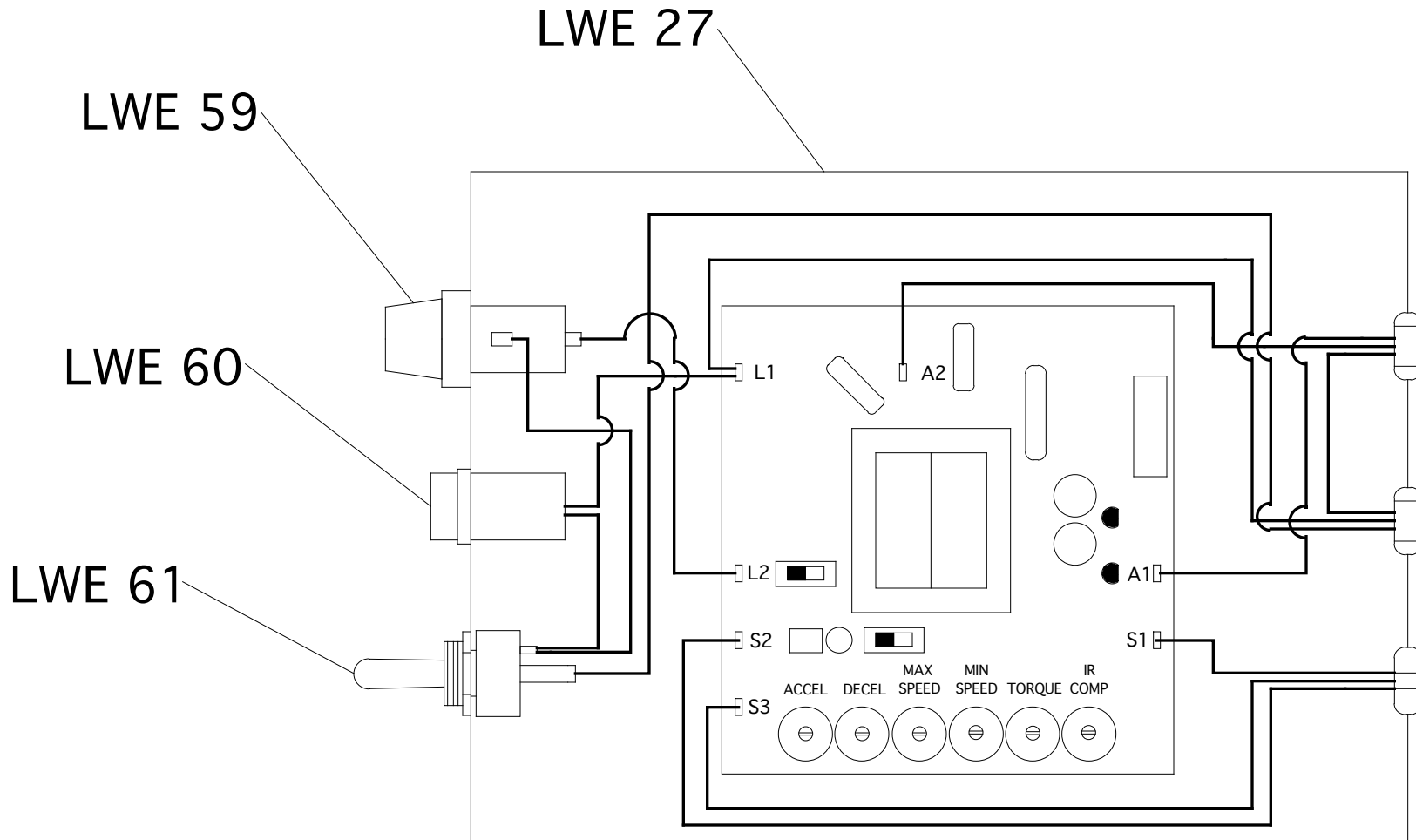
ELECTRIC WILLIE WITH TANKS



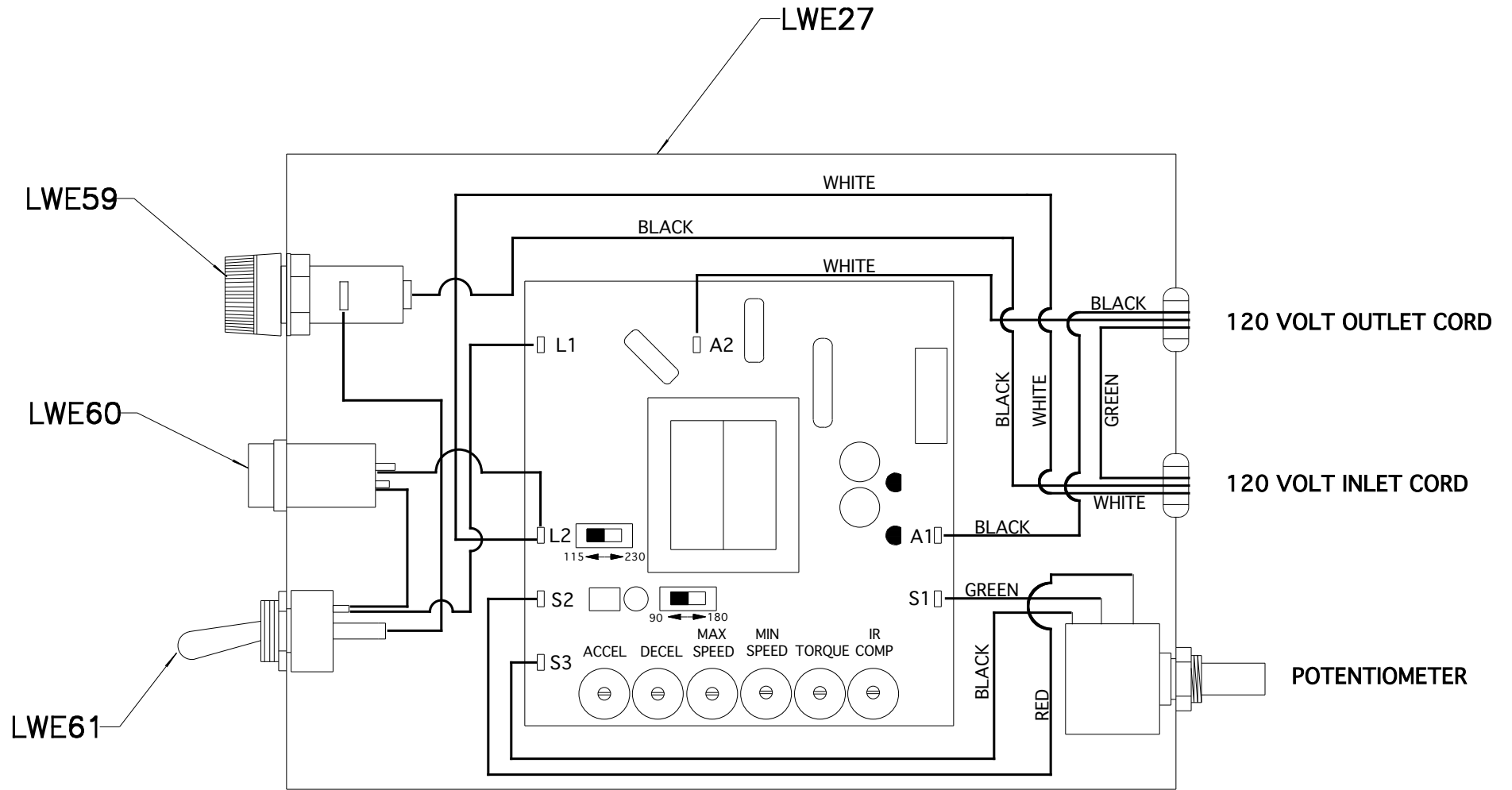
ELECTRIC WILLIE WITHOUT TANKS



ELECTRIC WILLIE POWER BOX

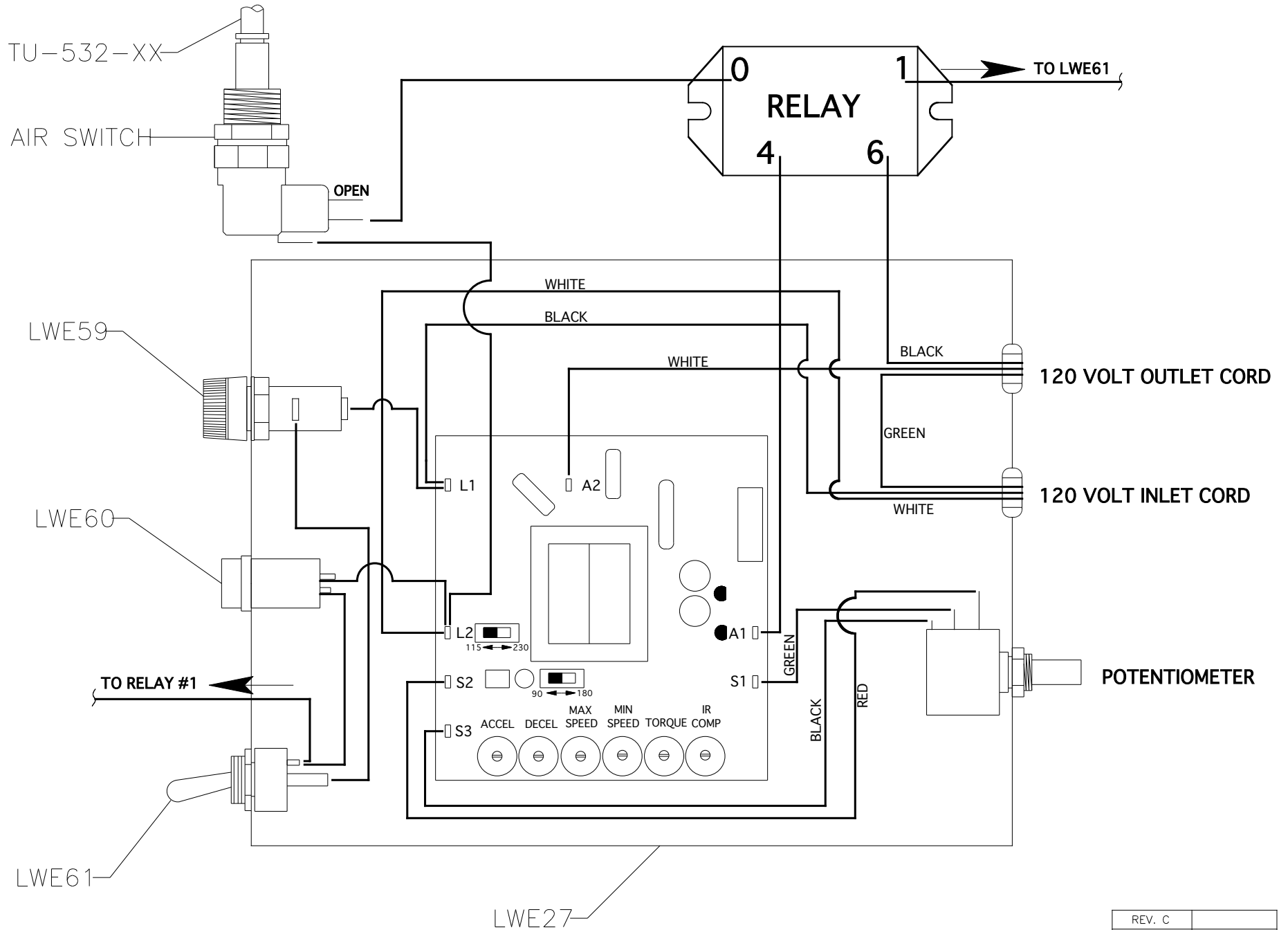


ELECTRIC WILLIE POWER BOX



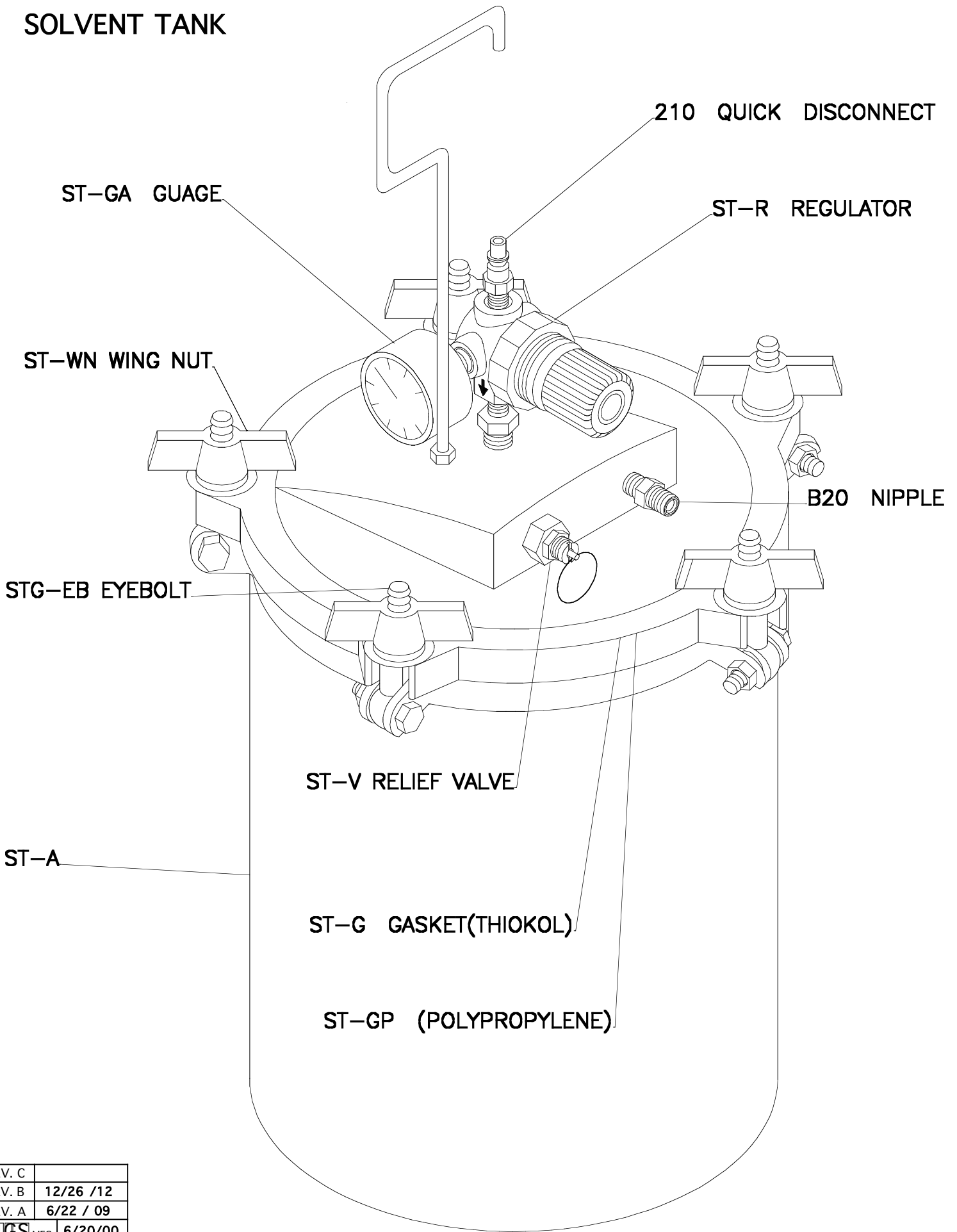
REV. C	
REV. B	7/25/14
REV. A	1/29/08
GS MFG	10/30/97


ELECTRIC WILLIE POWER BOX WITH RELAY



REV. C	
REV. B	7/18/14
REV. A	1/29/08
WILLIAMS MFG	10/30/97

SOLVENT TANK



REV. C	
REV. B	12/26 /12
REV. A	6/22 / 09
 GS MFG	6/20/00