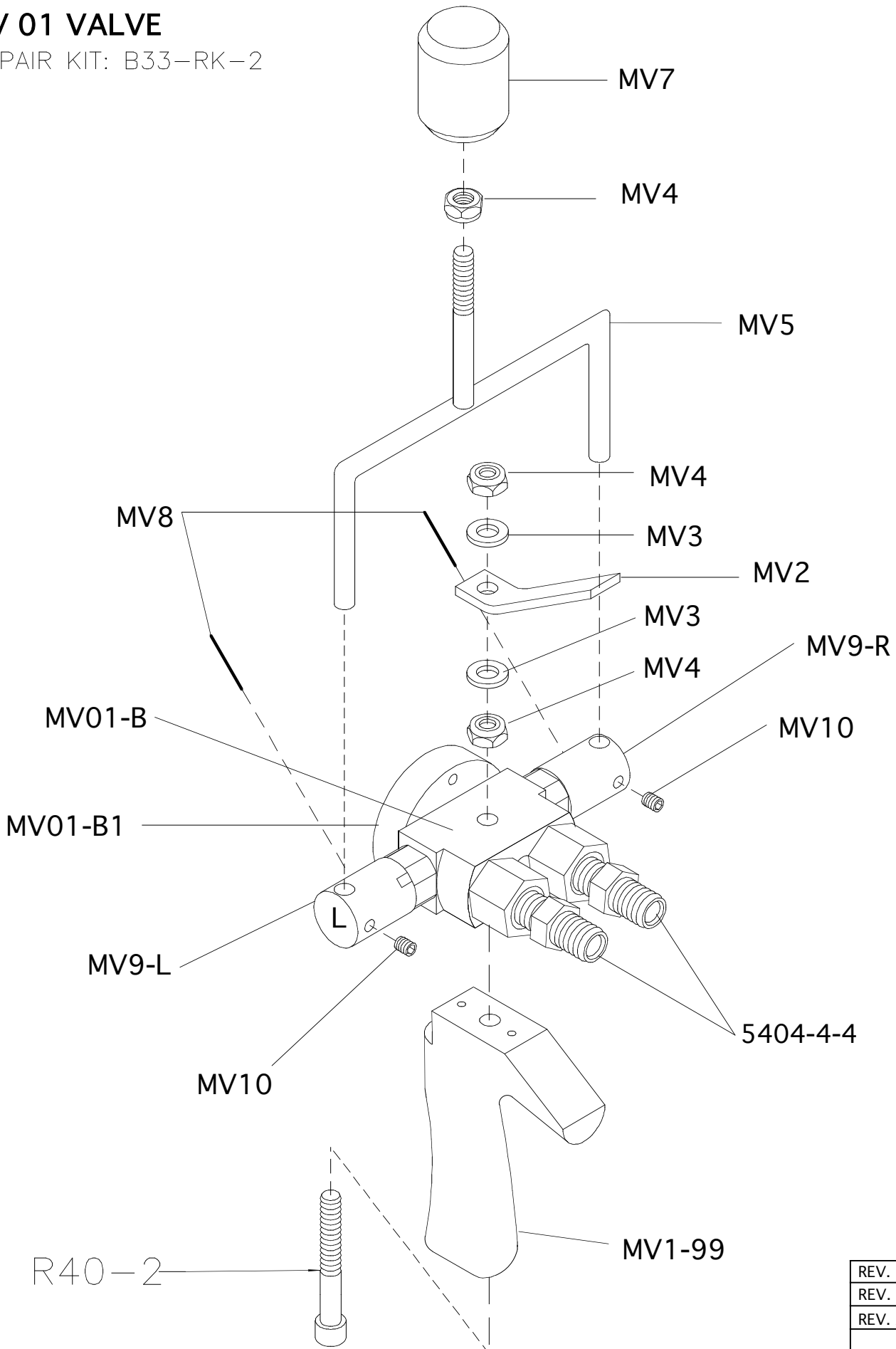


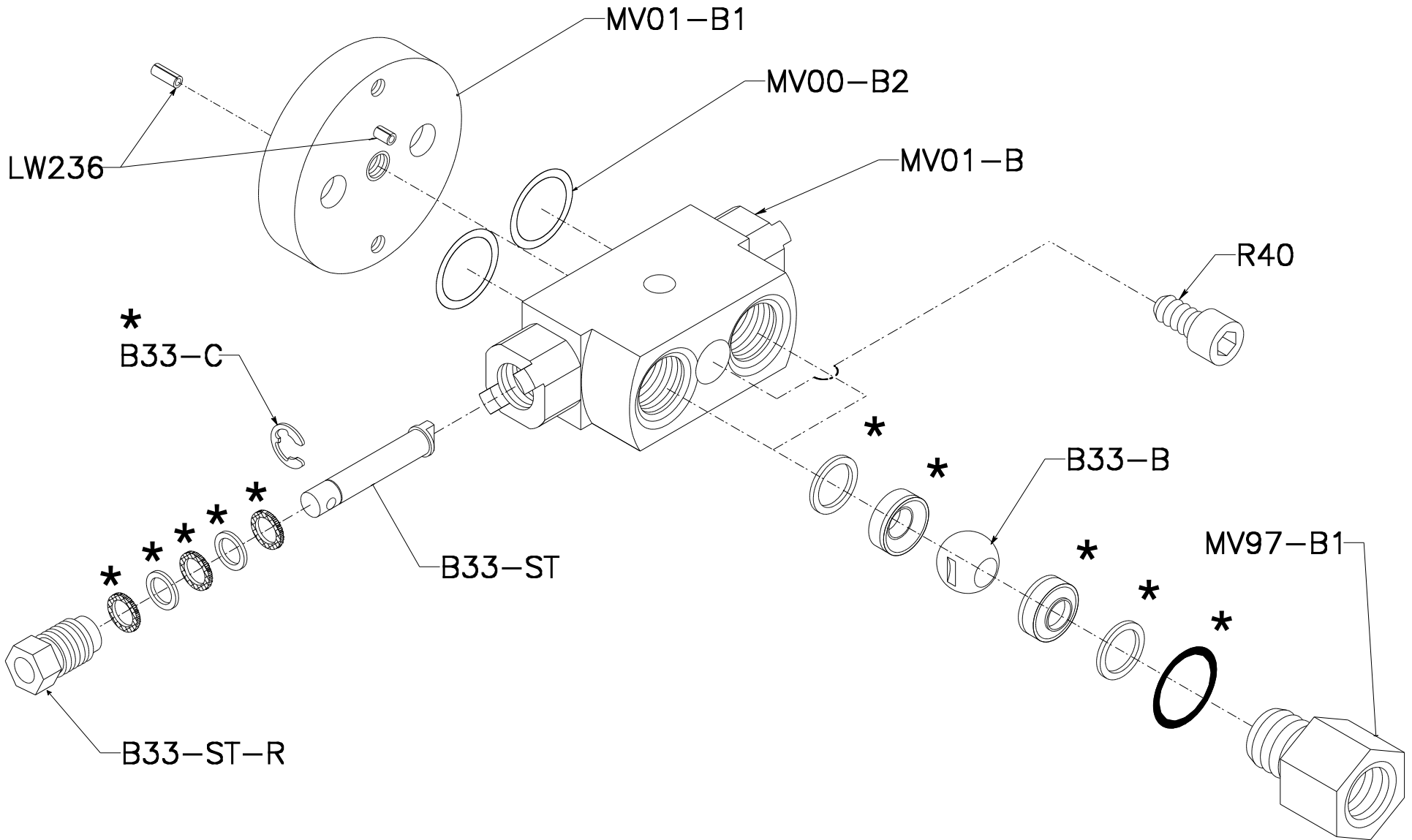
MV 01 VALVE

REPAIR KIT: B33-RK-2



REV. C	12/29/08
REV. B	11/25/03
REV. A	10/15/01

MV01-BA BODY ASSEMBLY



*: REPAIR KIT: B33-RK-2

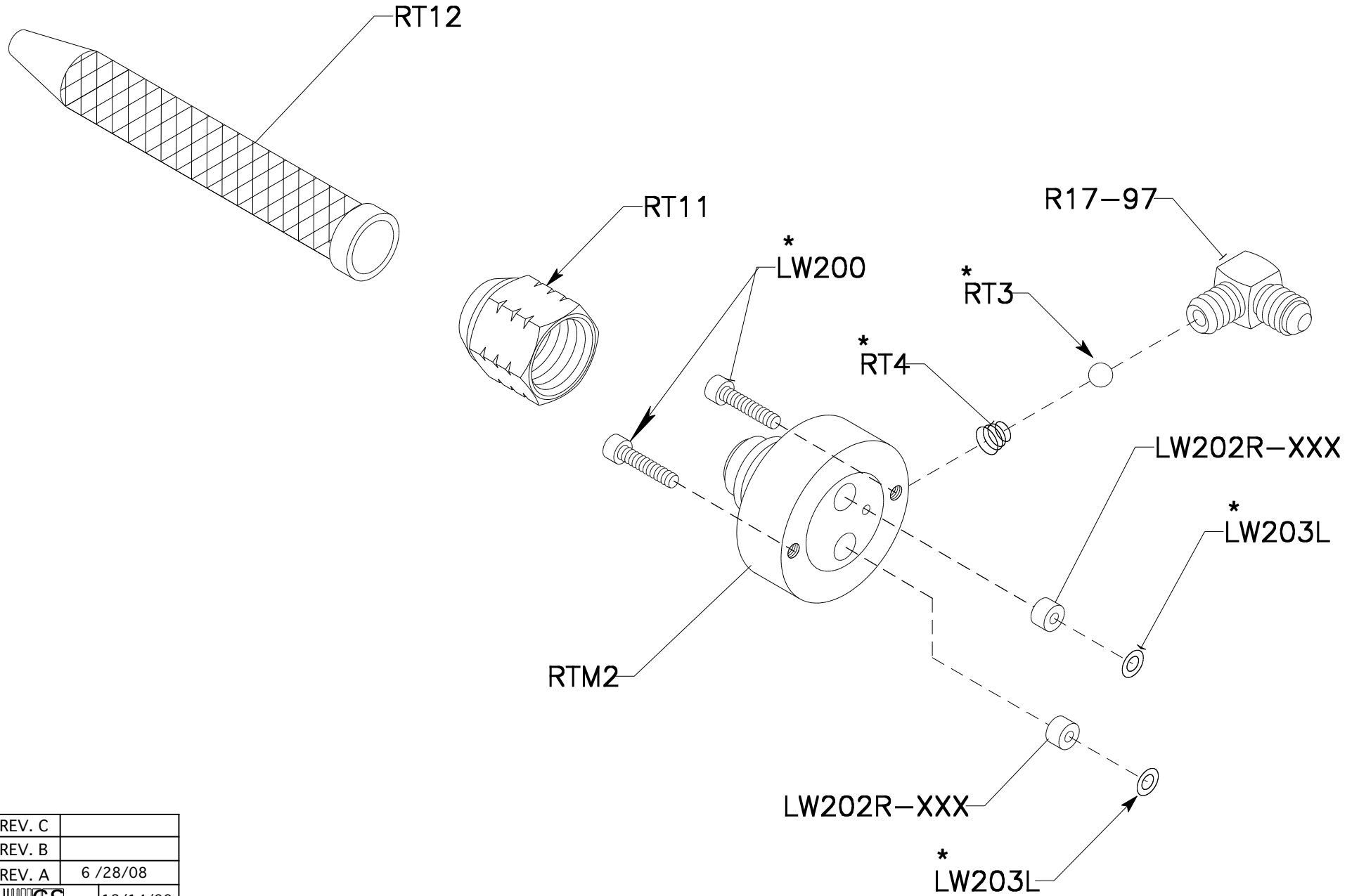
REV. C	1/ 5 /09
REV. B	7/11/07
REV. A	11/25/03


RTM2-A

1-1 NOZZLE

* :RTM2-RK

* :INDICATES PARTS INCLUDED IN KIT



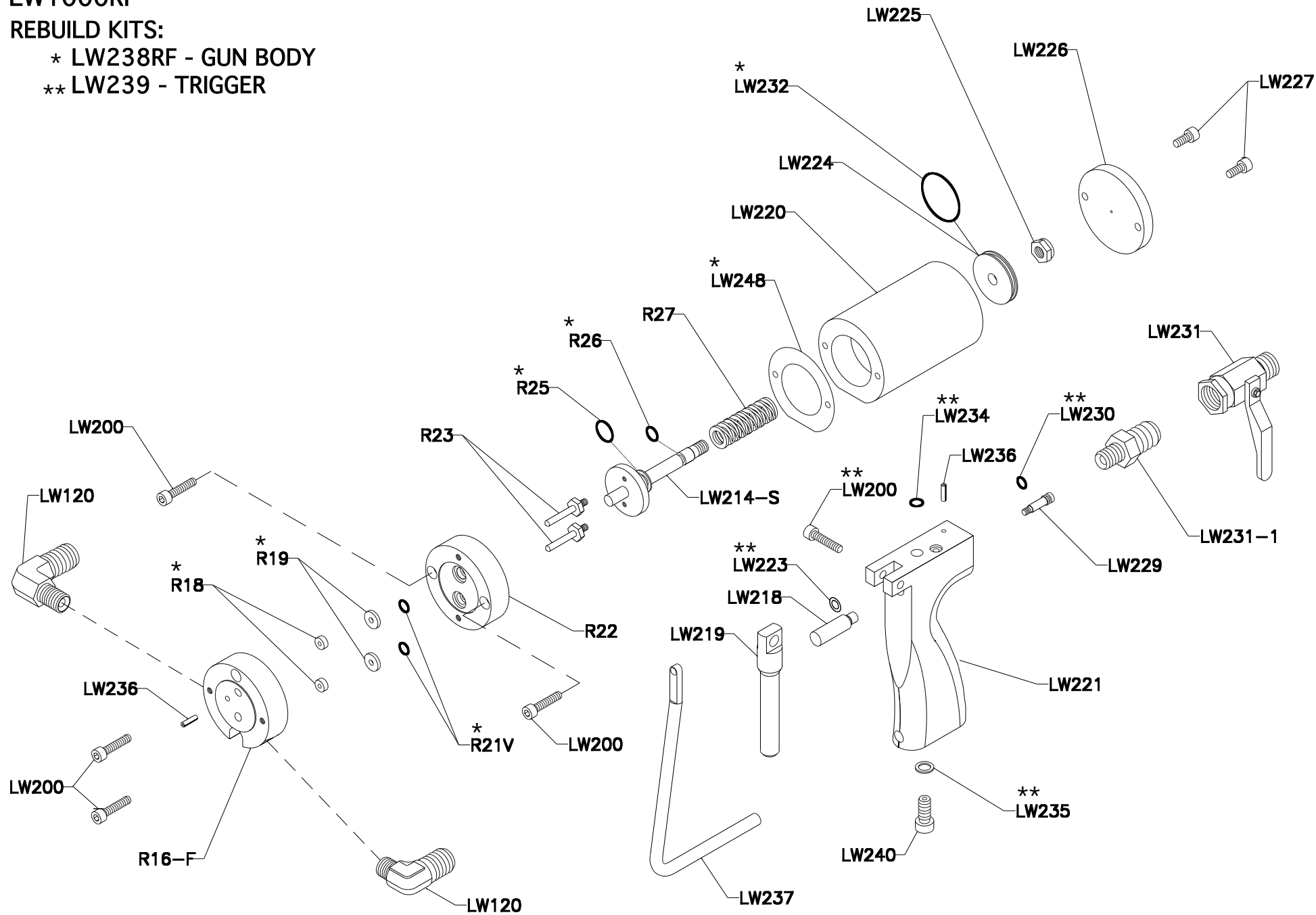
REV. C	
REV. B	
REV. A	6 /28/08
 MFG	12/14/00


LW1000RF

REBUILD KITS:

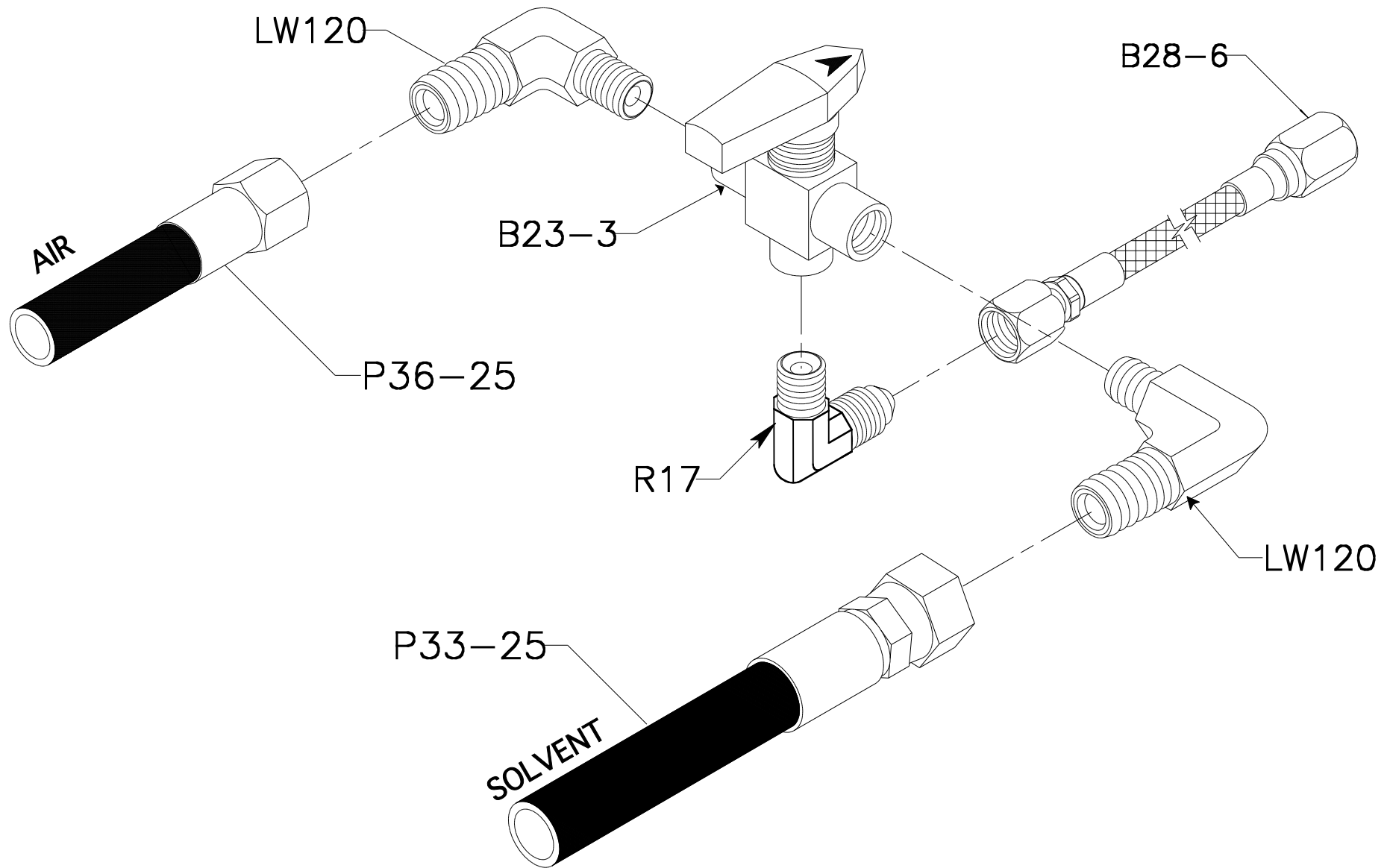
* LW238RF - GUN BODY


** LW239 - TRIGGER



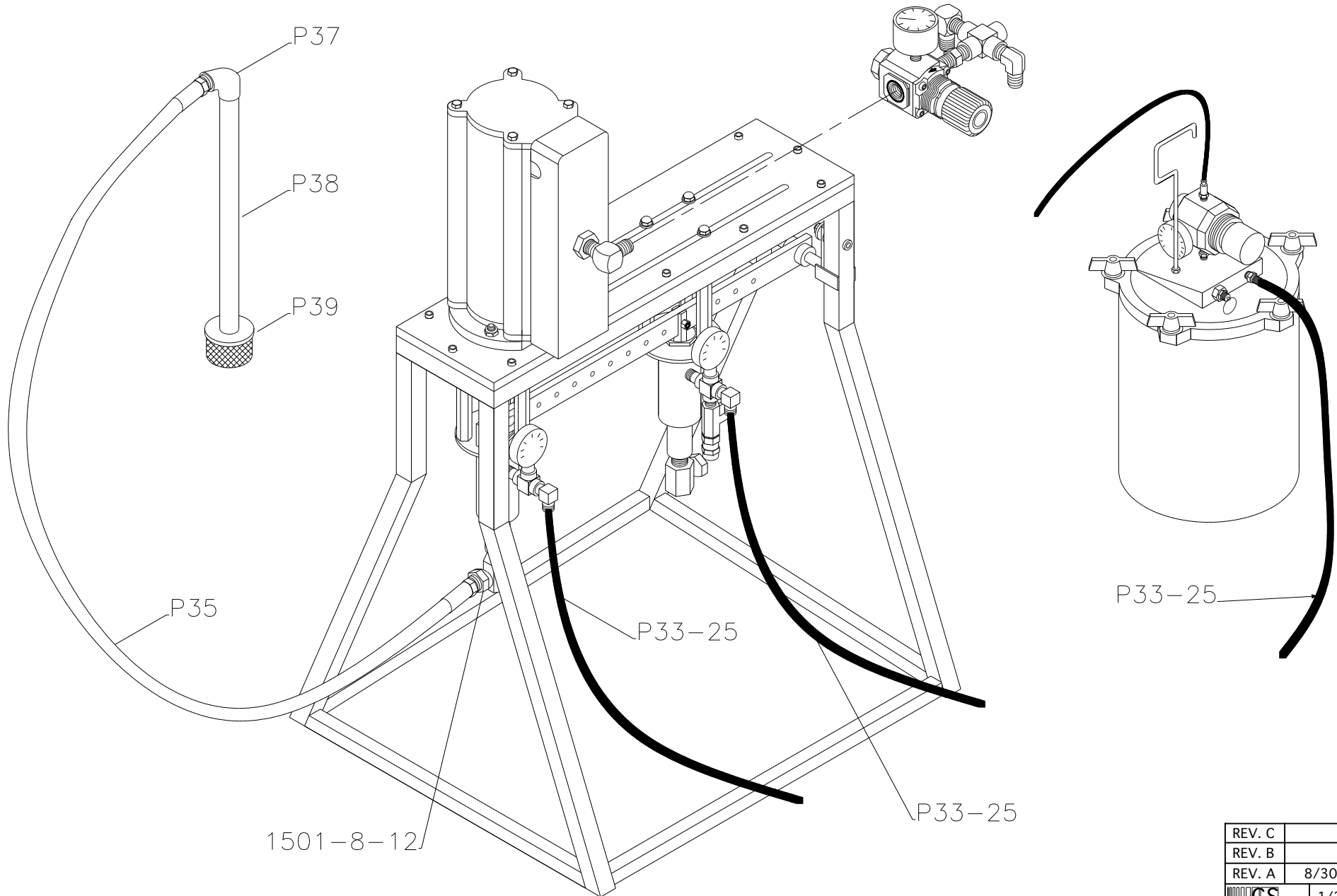
REV. C	
REV. B	
REV. A	5/23 / 06
 GS MFG	6/ 25/ 04


PURGE VALVE ASSEMBLY



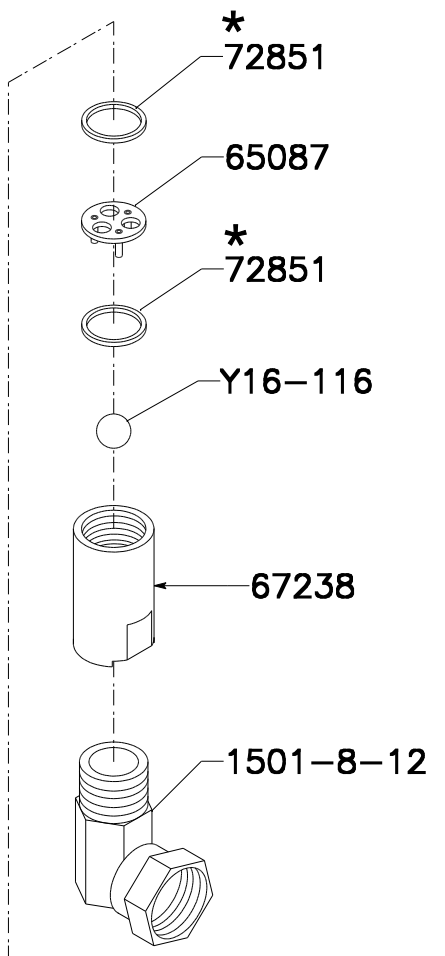
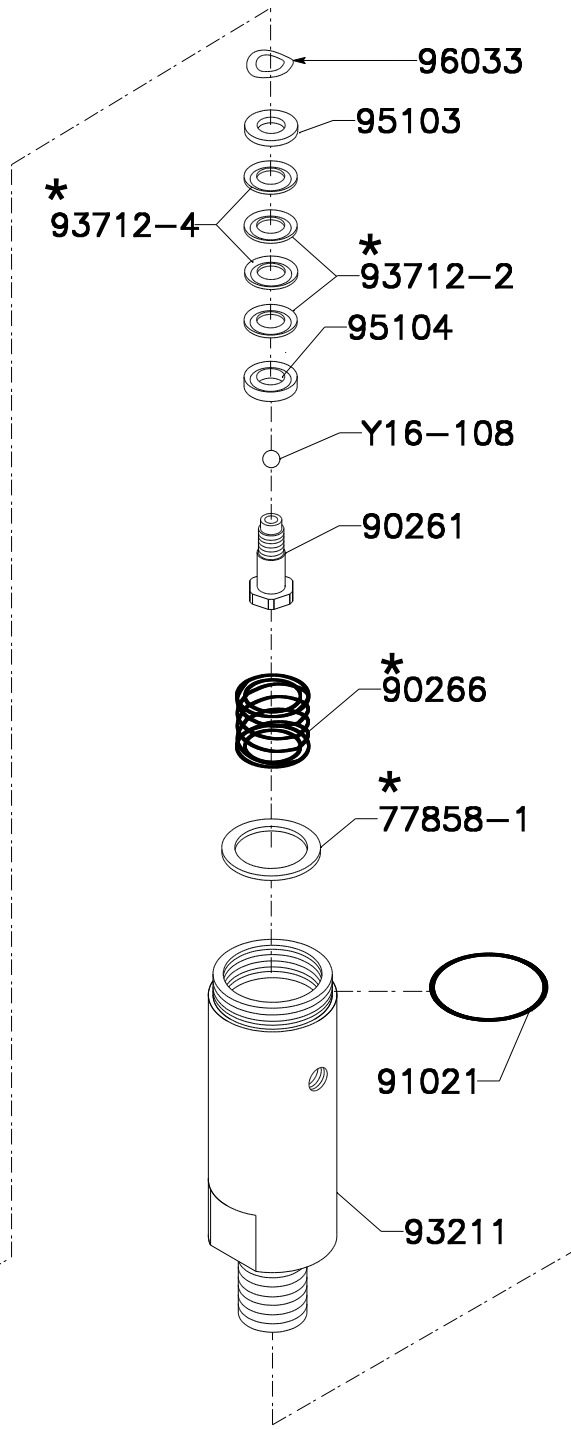
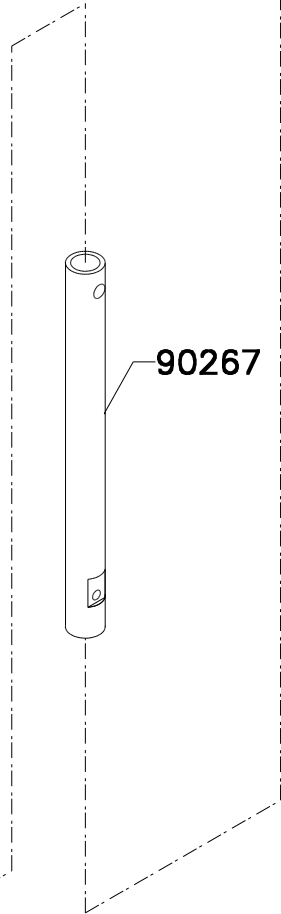
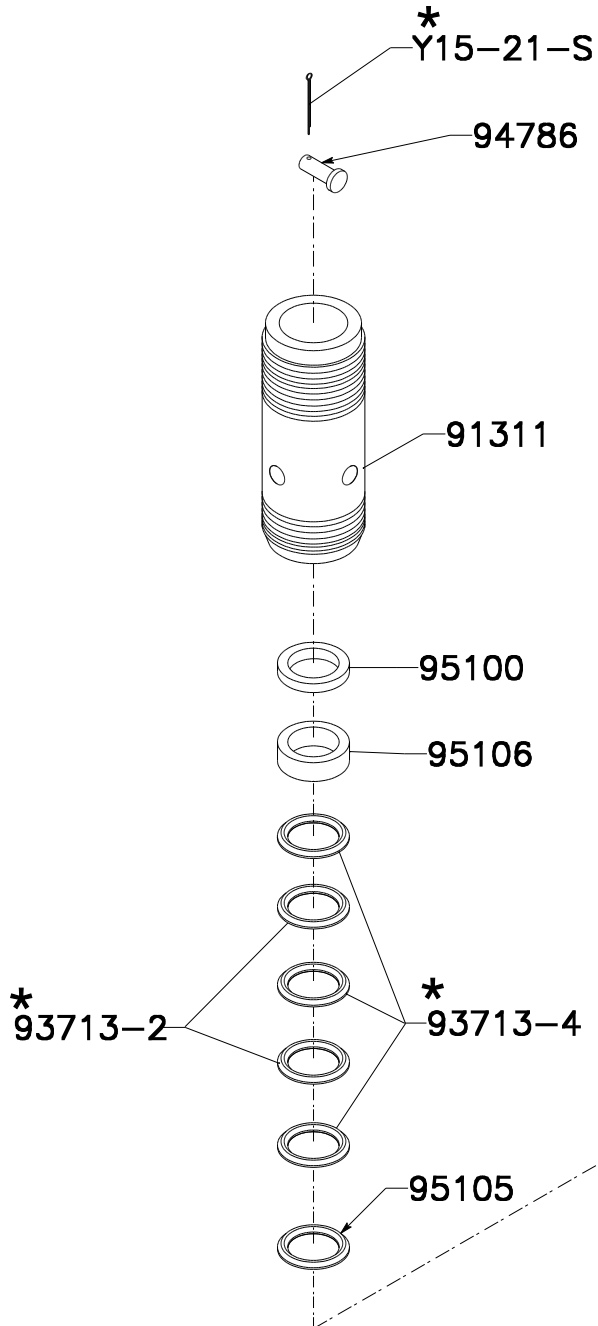
REV. C	
REV. B	2/22/10
REV. A	6/20/00
 GS MFG	9/12/97

LWVR-HOSES



REV. C	
REV. B	
REV. A	8/30/12
 GS MFG	1/25/00

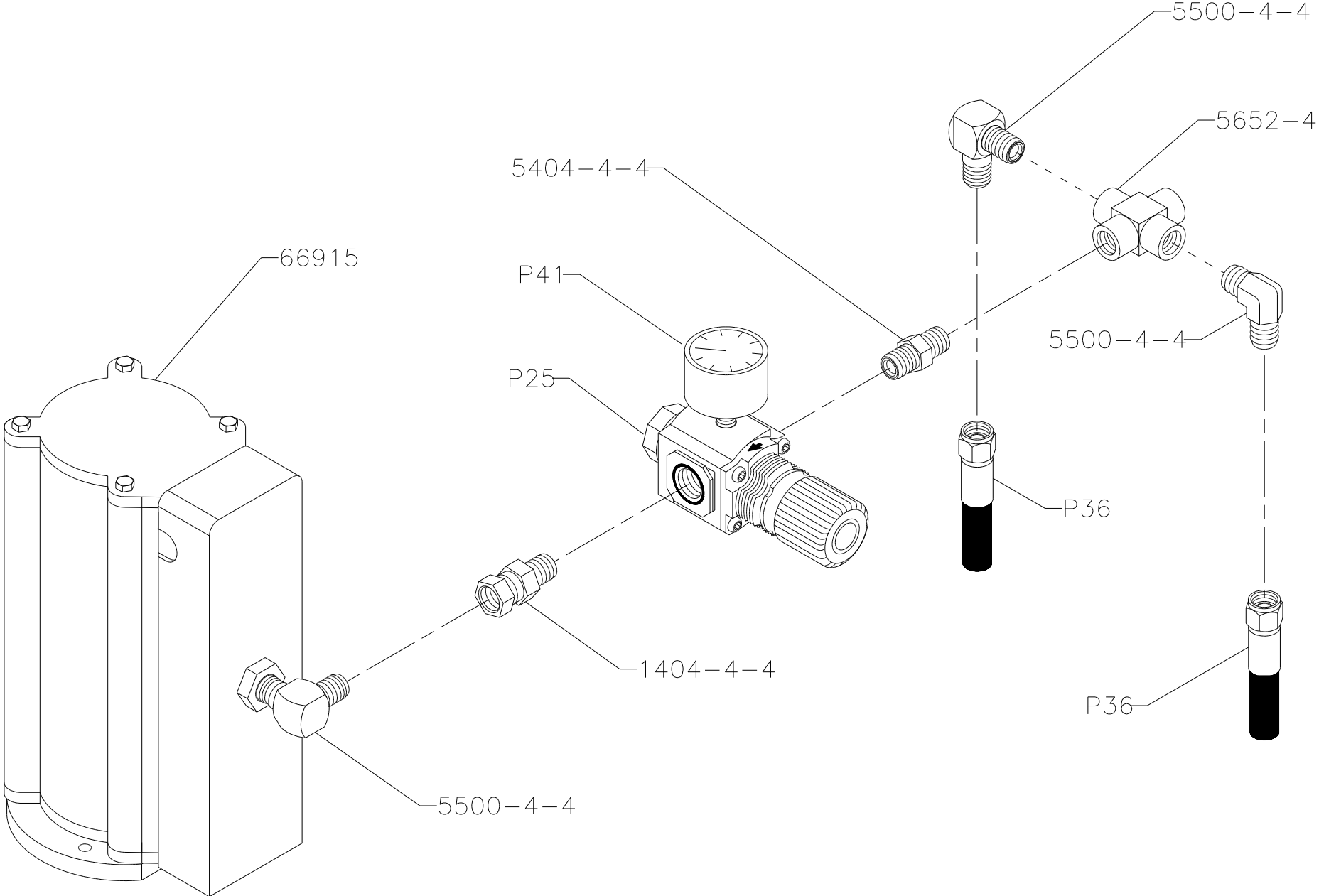
66066-00




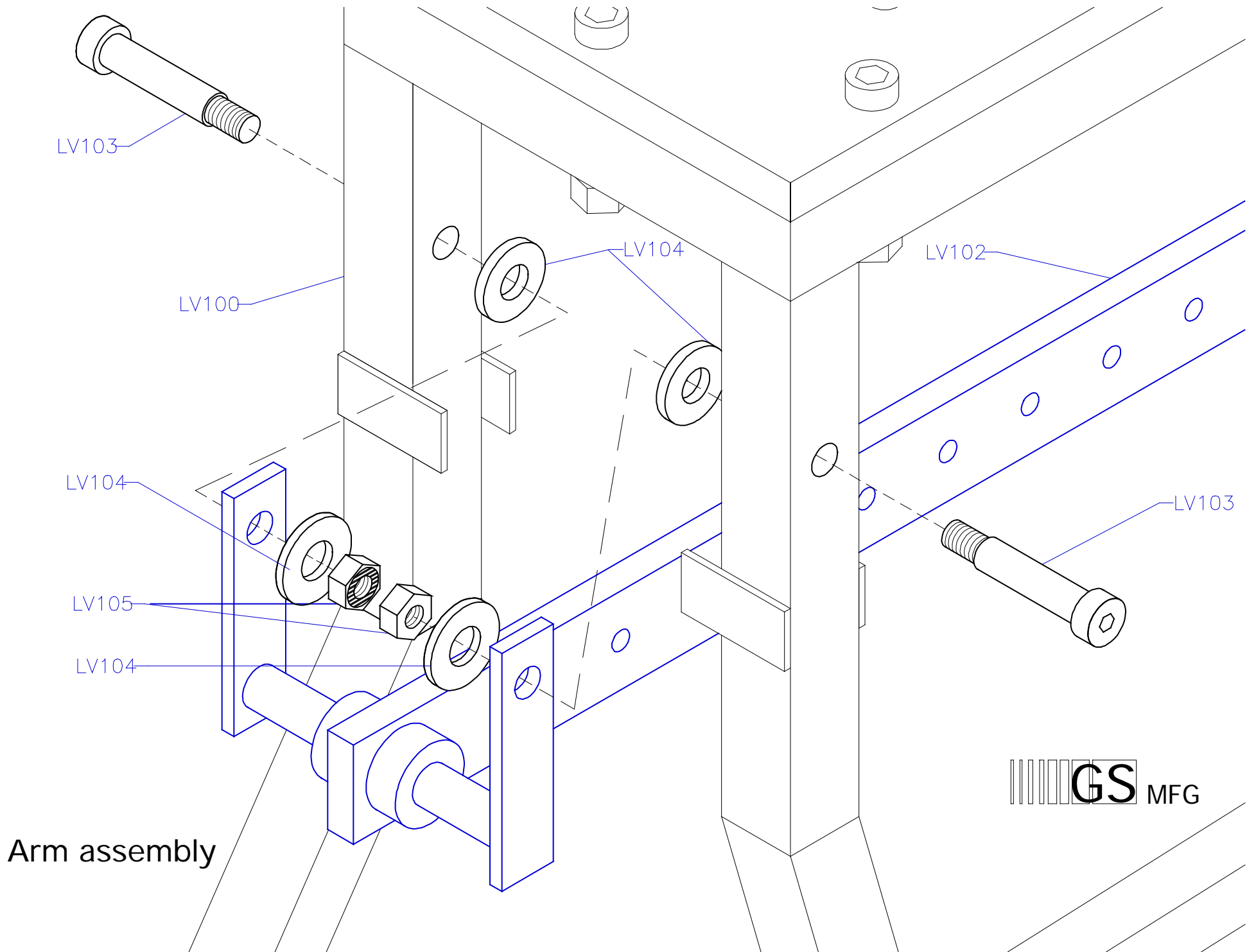
* REBUILD KIT:
637006-00

REV. C	
REV. B	3 / 21 / 07
REV. A	1 / 22 / 03
WOODS MFG	

AIR REGULATOR/ MANIFOLD



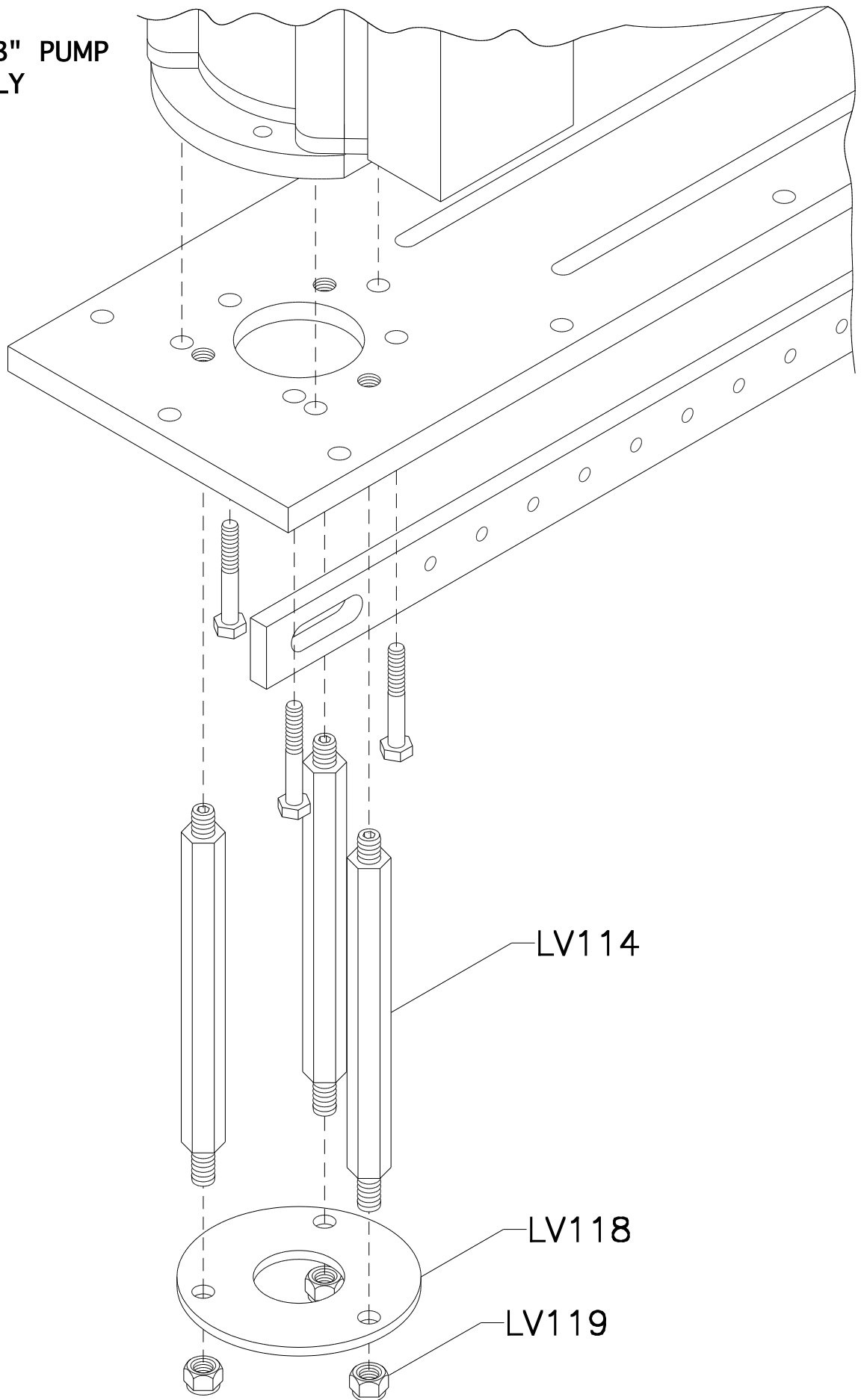
REV. C	
REV. B	
REV. A	9/ 5 /12
 GS MFG	1/25/00




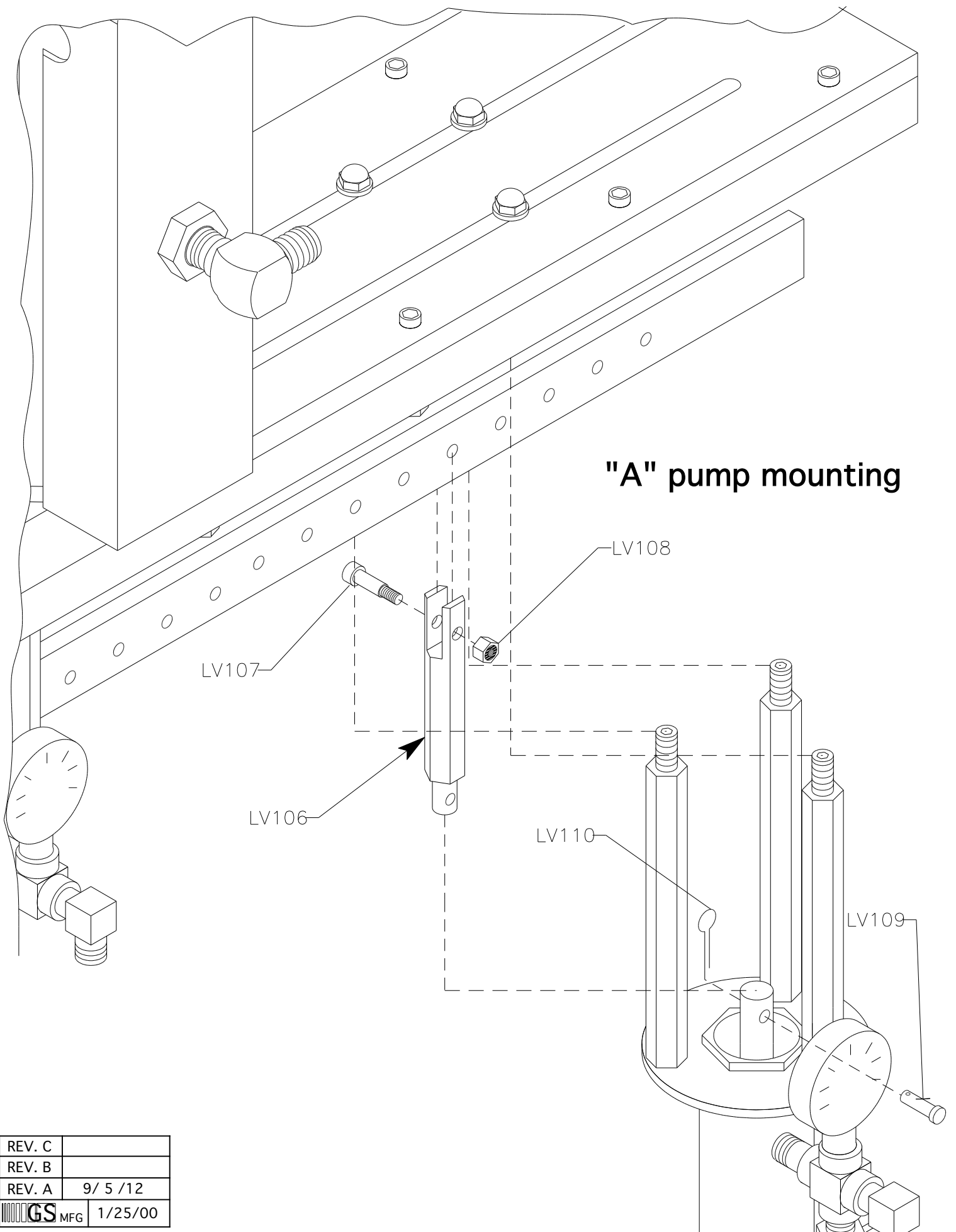
Arm assembly


GS MFG

**AIR MOTOR AND "B" PUMP
BRACKET ASSEMBLY**

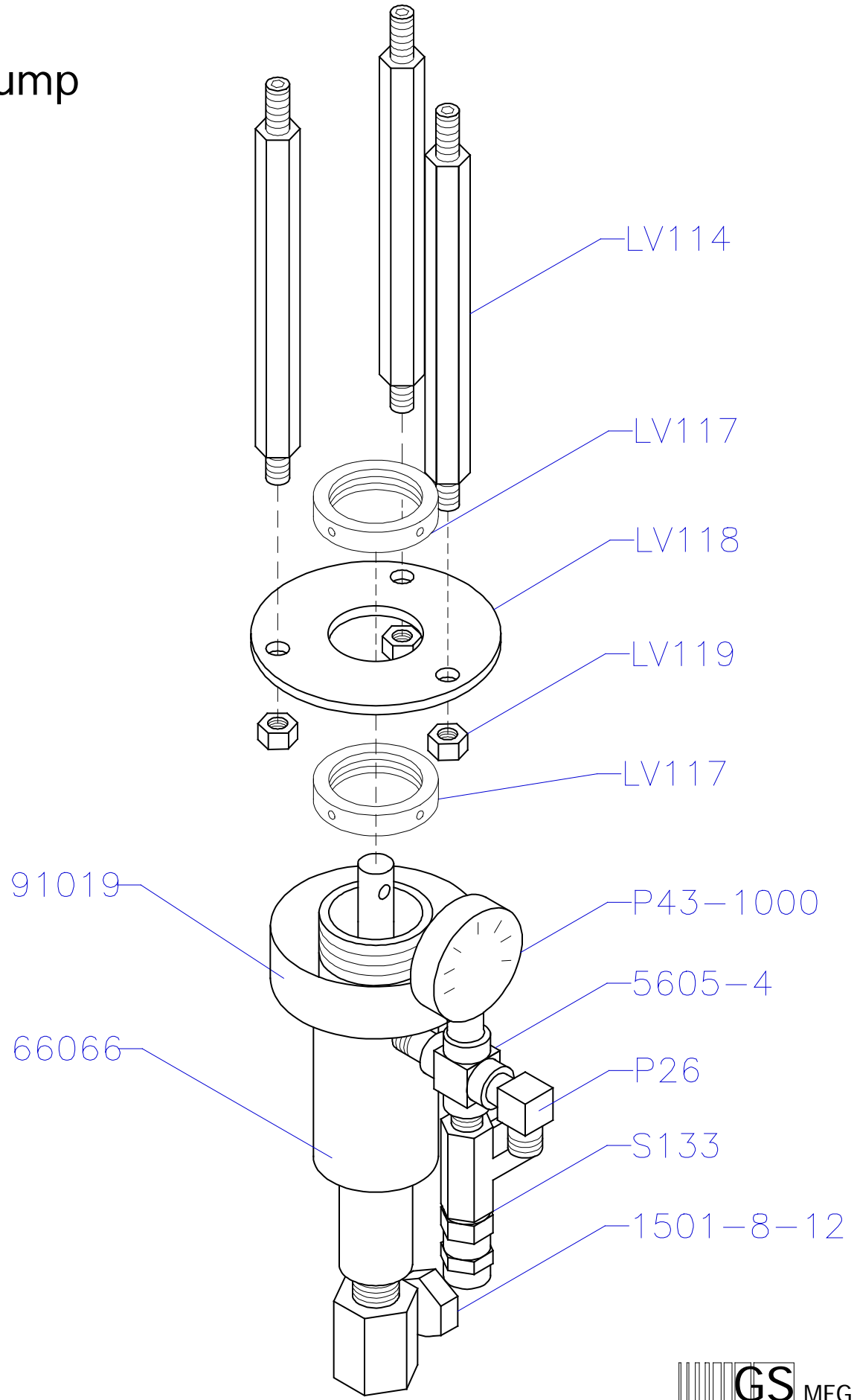


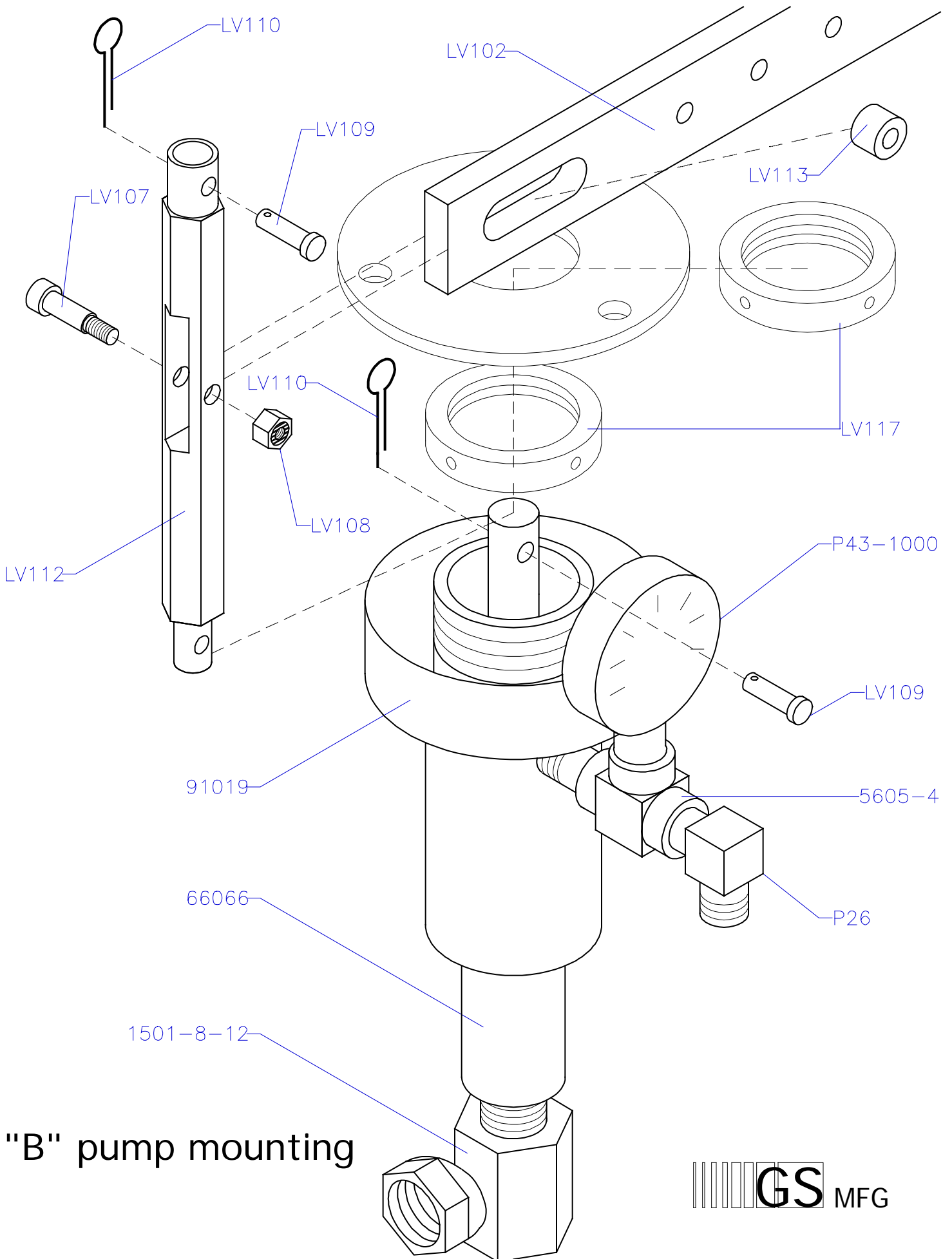
REV. C	
REV. B	
REV. A	8/31/12
 MFG	1/25/00



REV. C	
REV. B	
REV. A	9/ 5 /12
 GS MFG	1/25/00

"A" pump

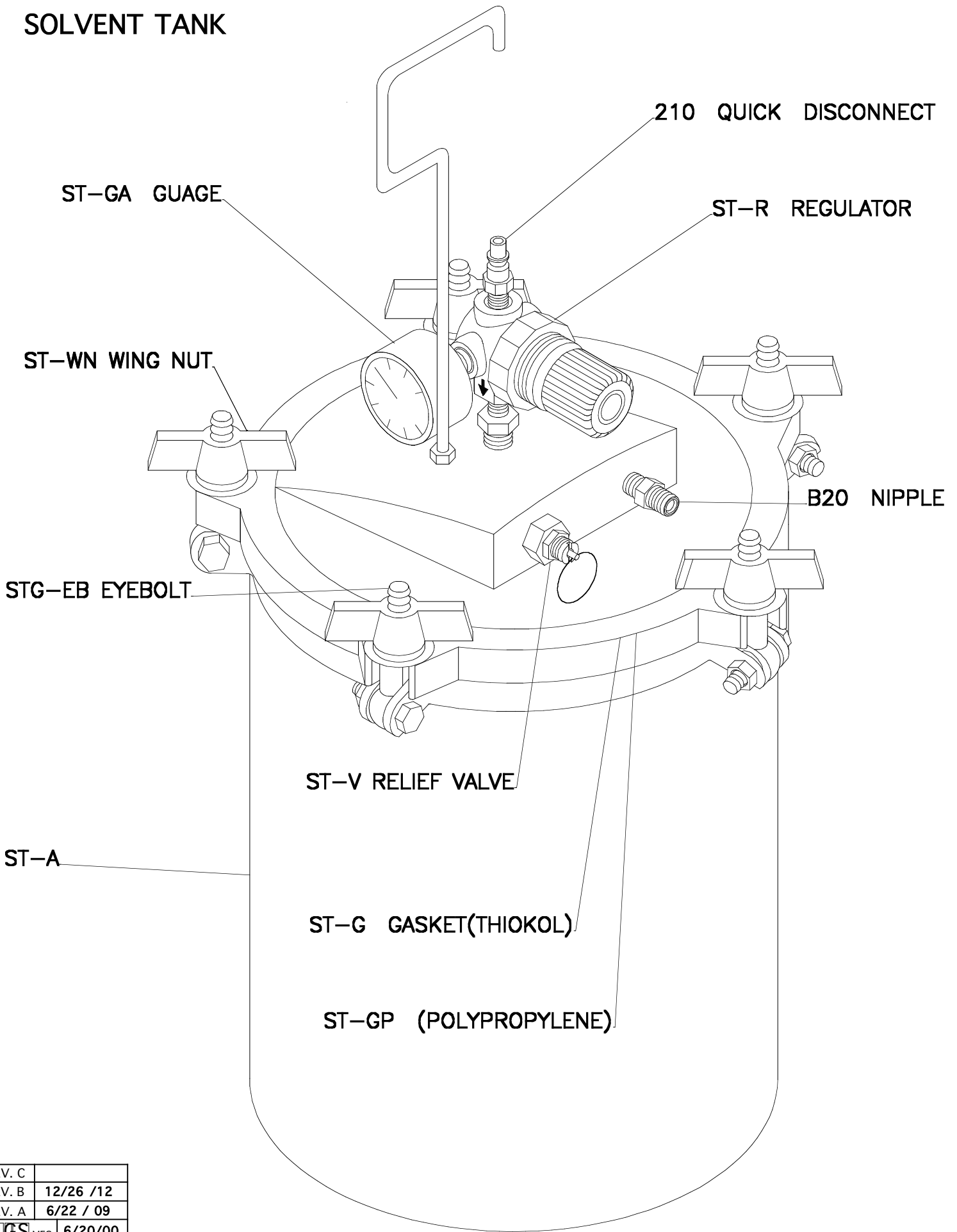





"B" pump mounting



SOLVENT TANK



REV. C	
REV. B	12/26 /12
REV. A	6/22 / 09
 GS MFG	6/20/00