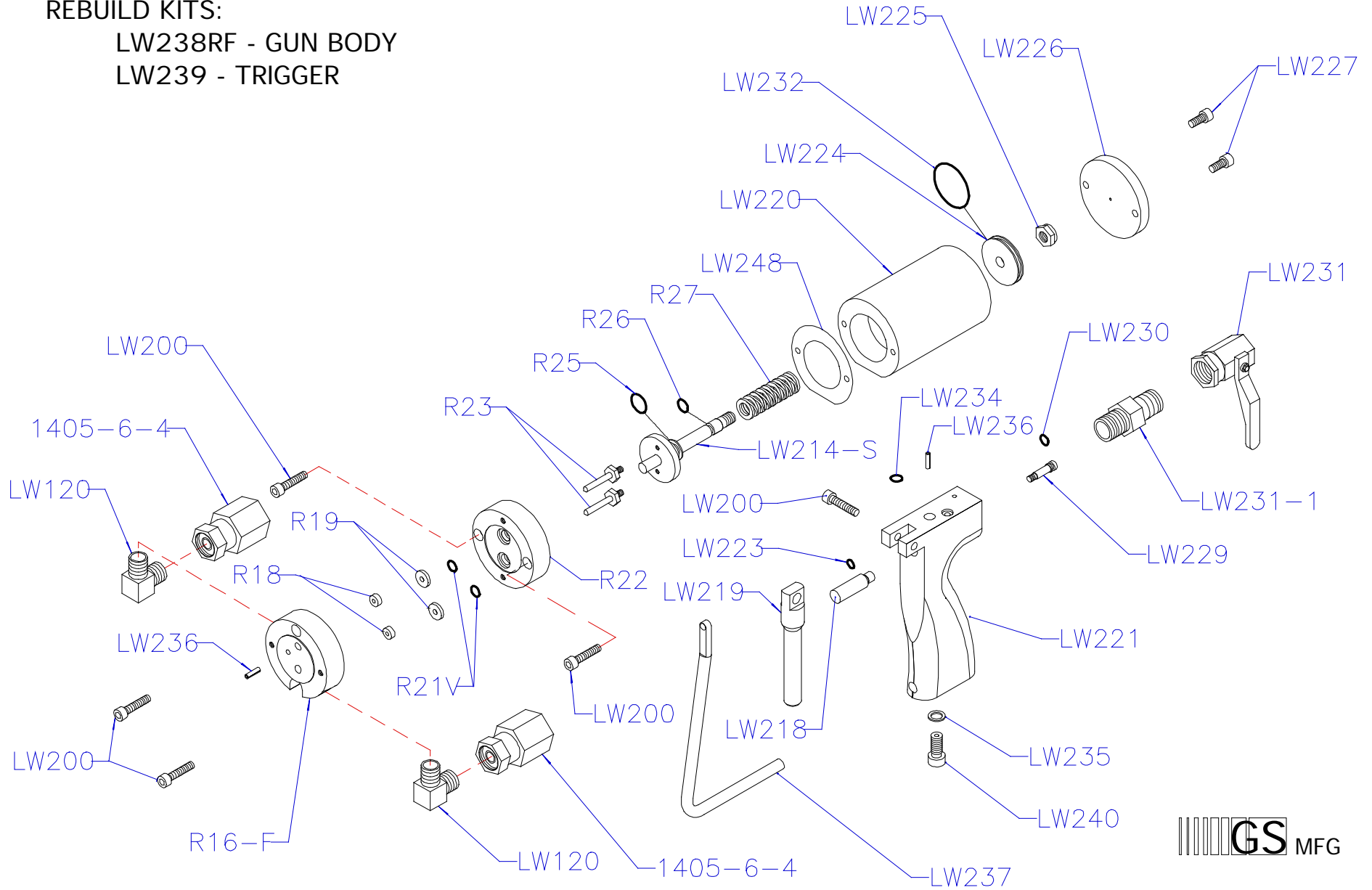


# LW1000RF-3/8

## REBUILD KITS:

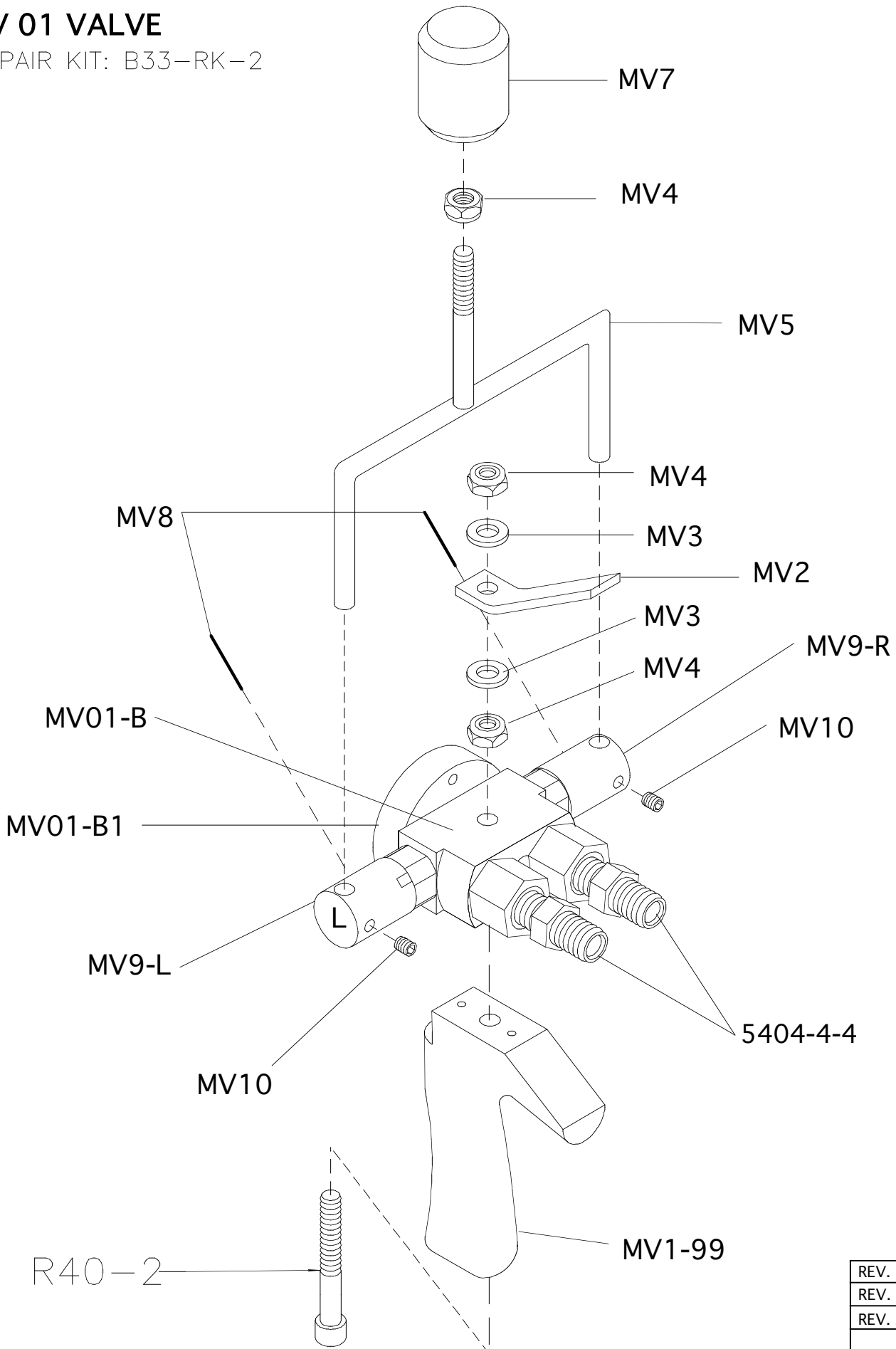
LW238RF - GUN BODY

LW239 - TRIGGER



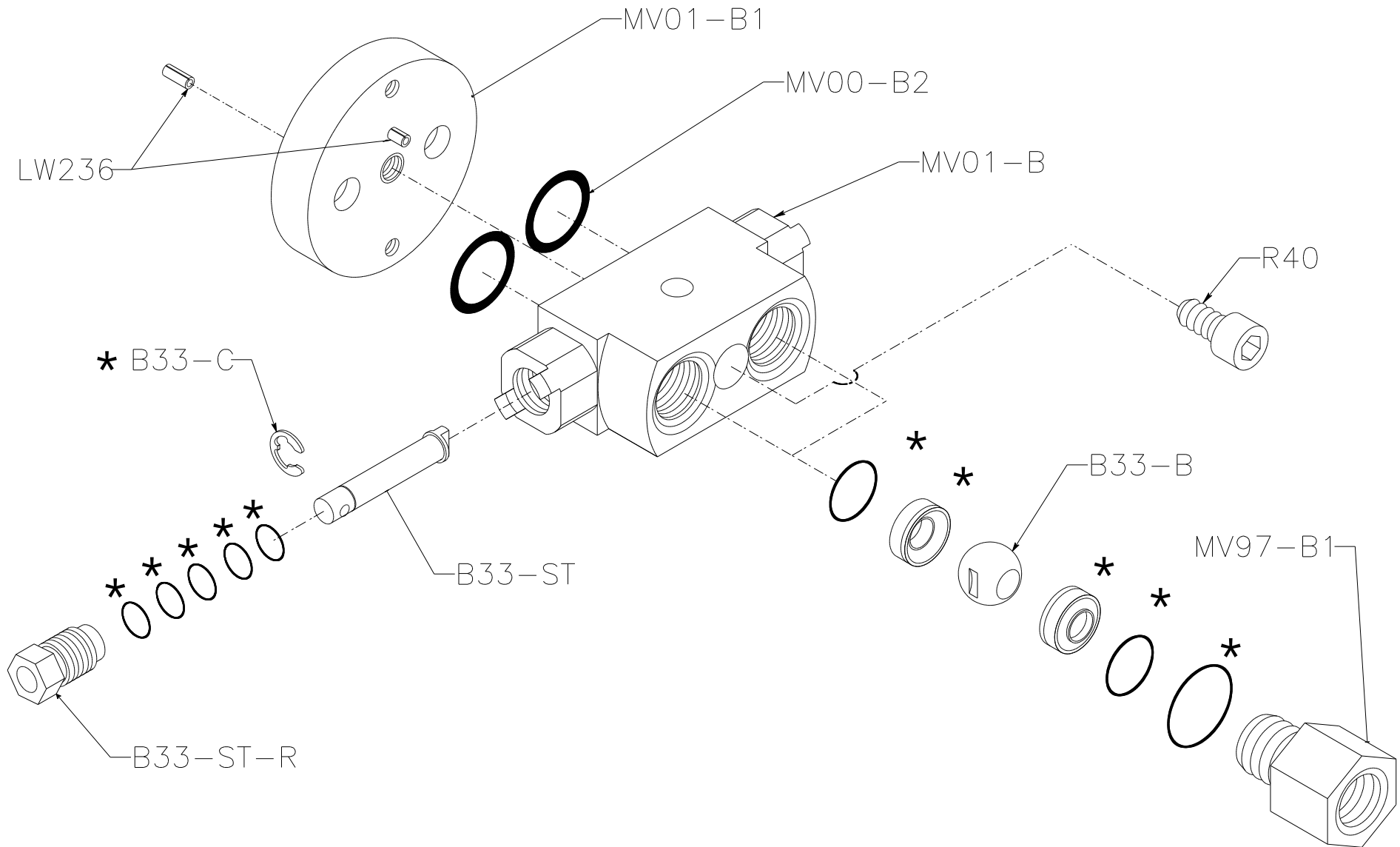
# MV 01 VALVE

REPAIR KIT: B33-RK-2



REV. C	12/29/08
REV. B	11/25/03
REV. A	10/15/01

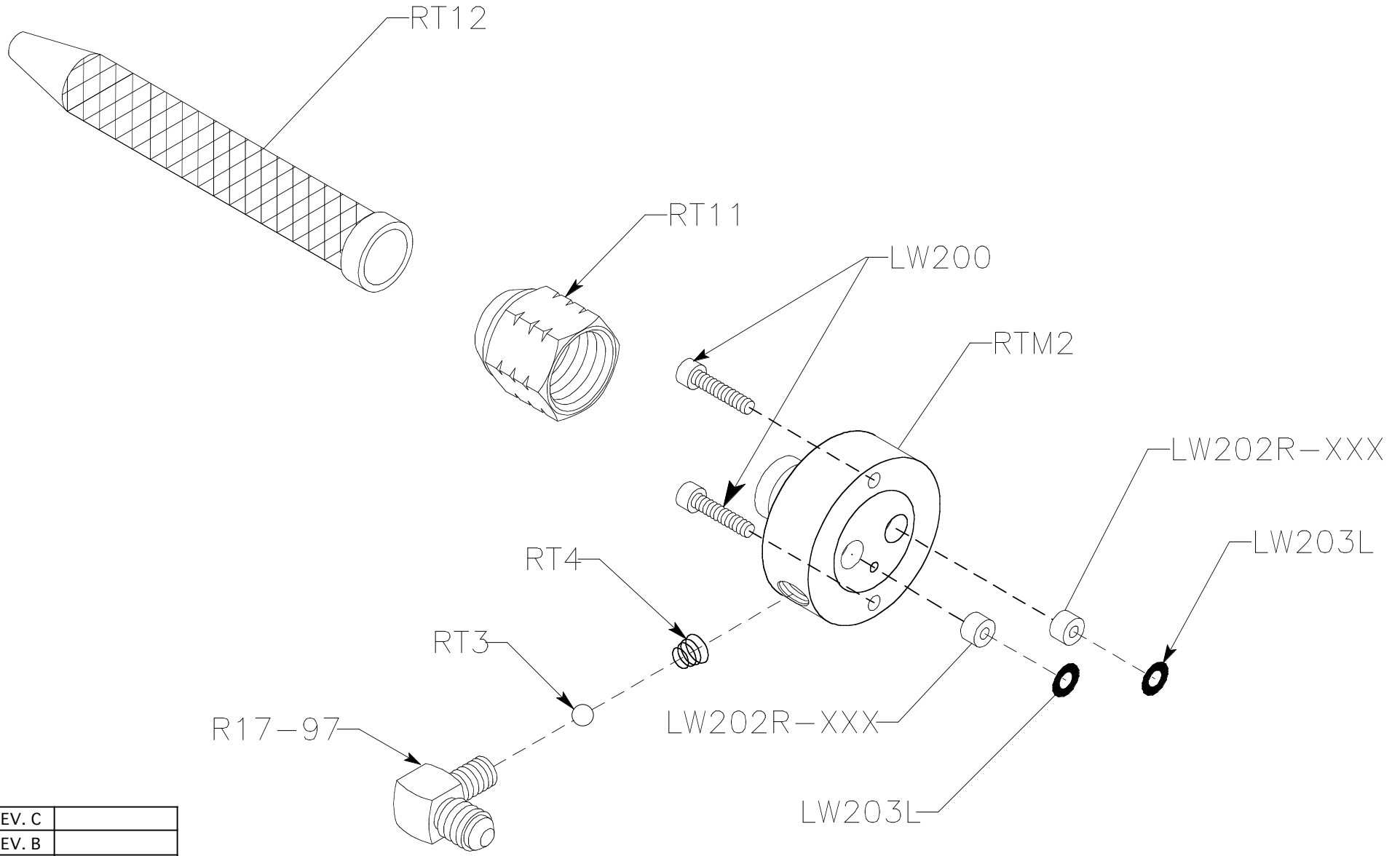
# MV01-BA BODY ASSEMBLY




\*: REPAIR KIT: B33-RK-2

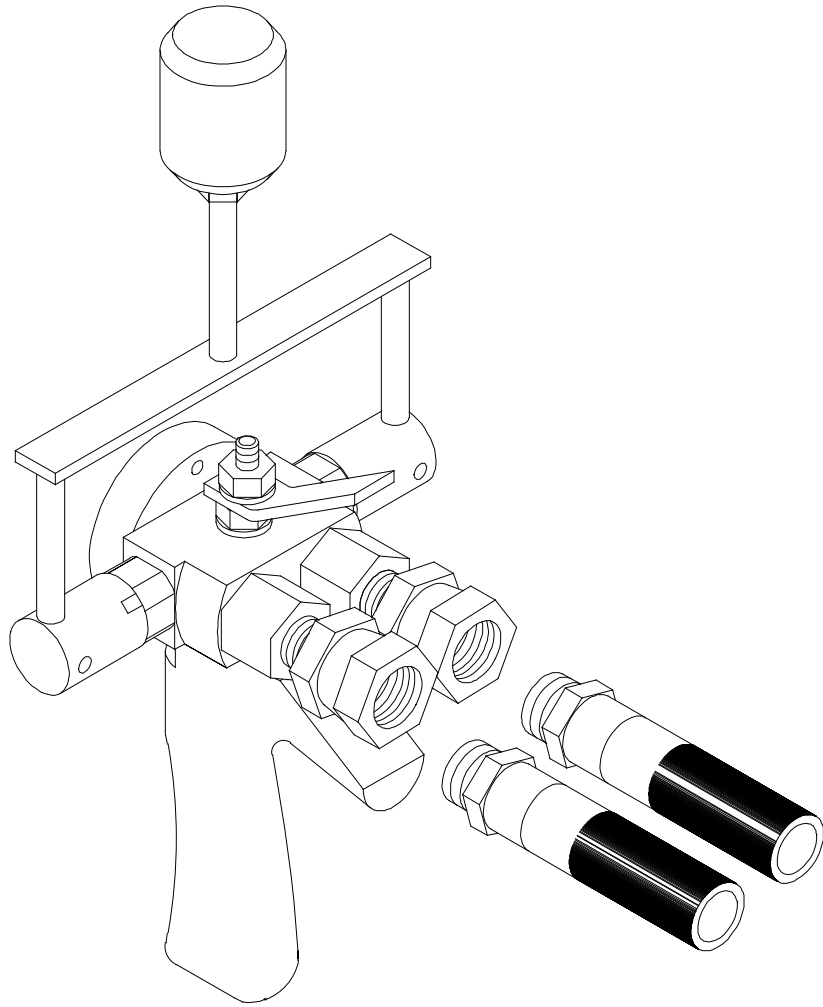
REV. C	
REV. B	7/11/07
REV. A	11/25/03

# RTM2-A



REV. C	
REV. B	
REV. A	6 /28/08
 MFG	12/14/00

# MATERIAL HOSES ( POURING )

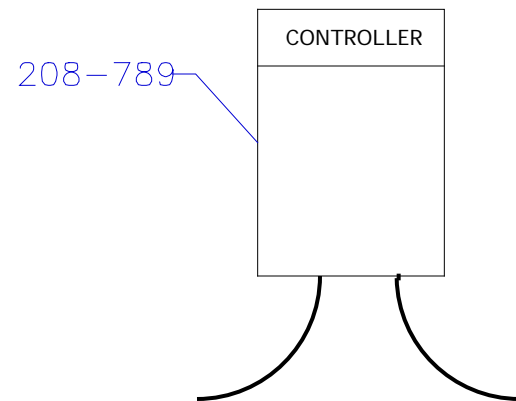
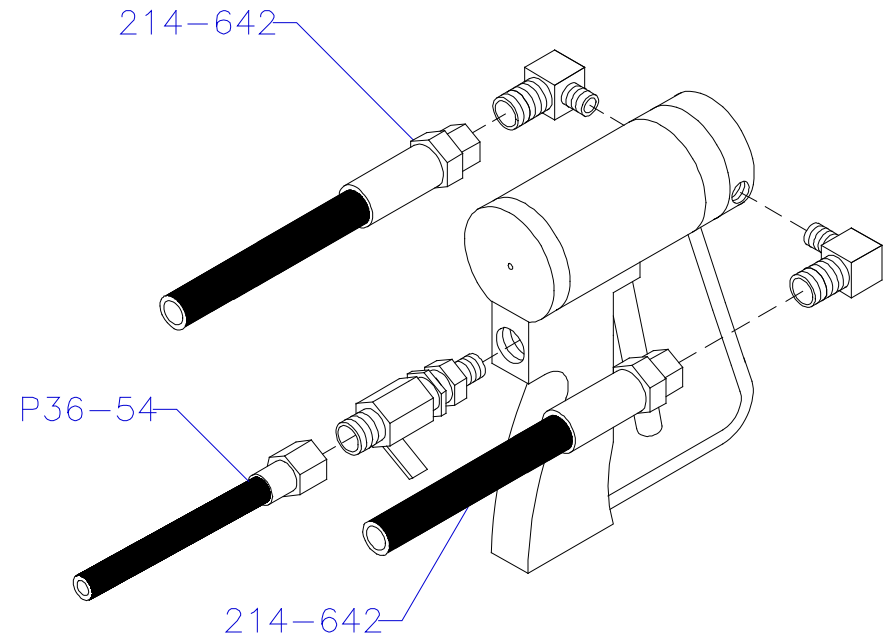


ADHESIVES: B28-1/2-25 (A+B)

RESINS: P33-1/2-25 (A+B)

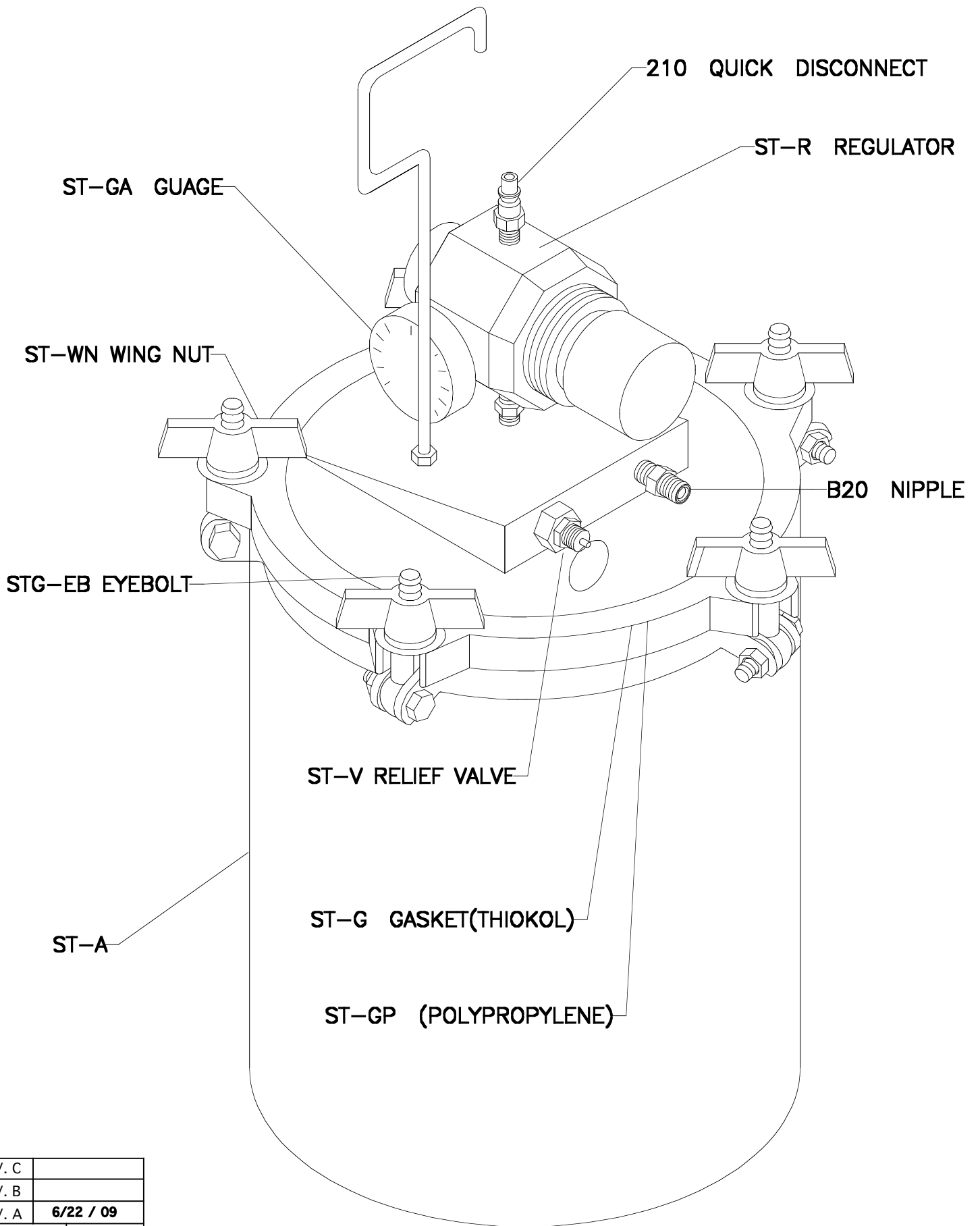



# HEATED MATERIAL HOSES ( SPRAY )



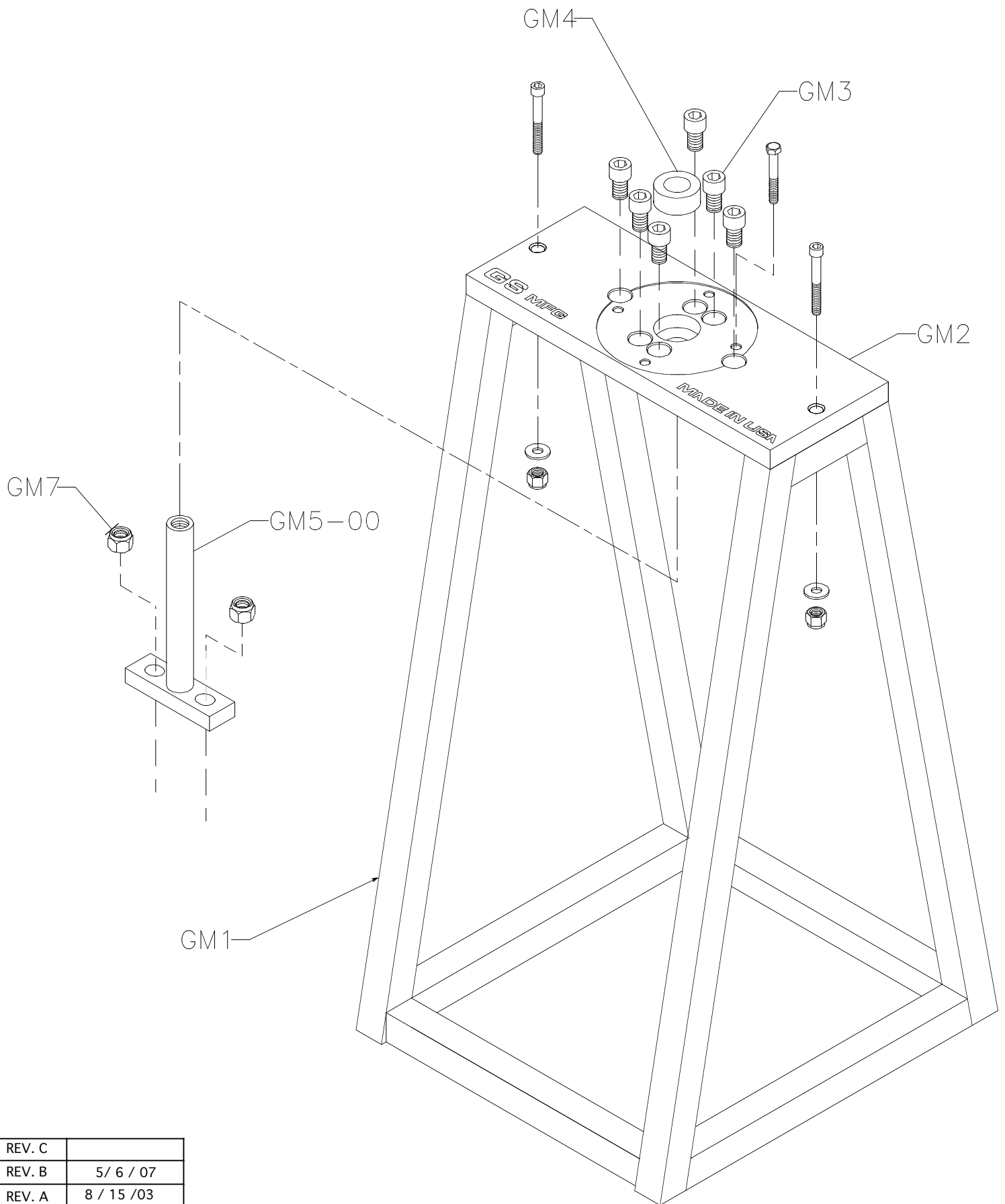



# SOLVENT TANK



REV. C	
REV. B	
REV. A	6/22 / 09
 GS MFG	6/20/00

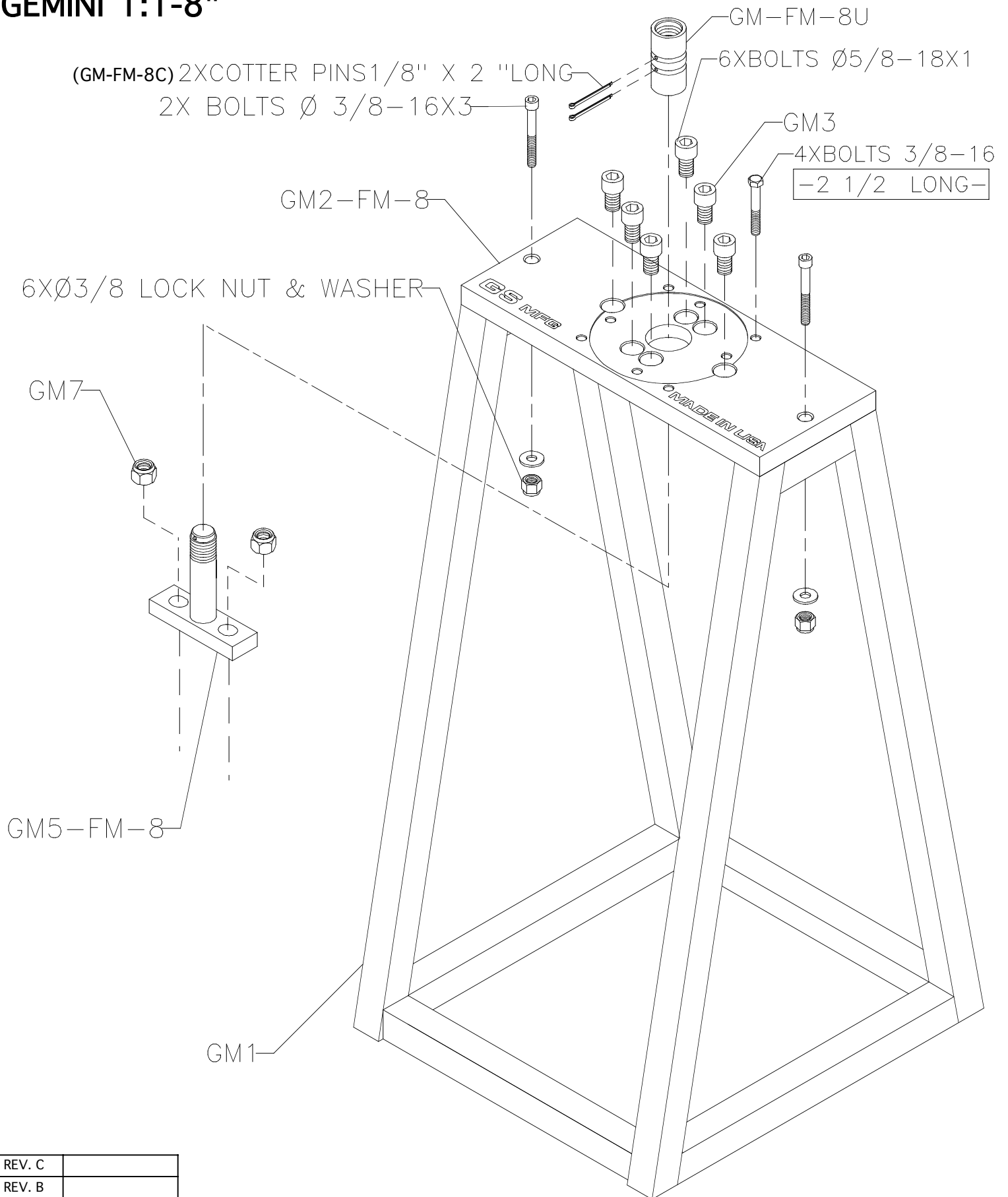
# GEMINI 1:1



REV. C	
REV. B	5 / 6 / 07
REV. A	8 / 15 / 03
	

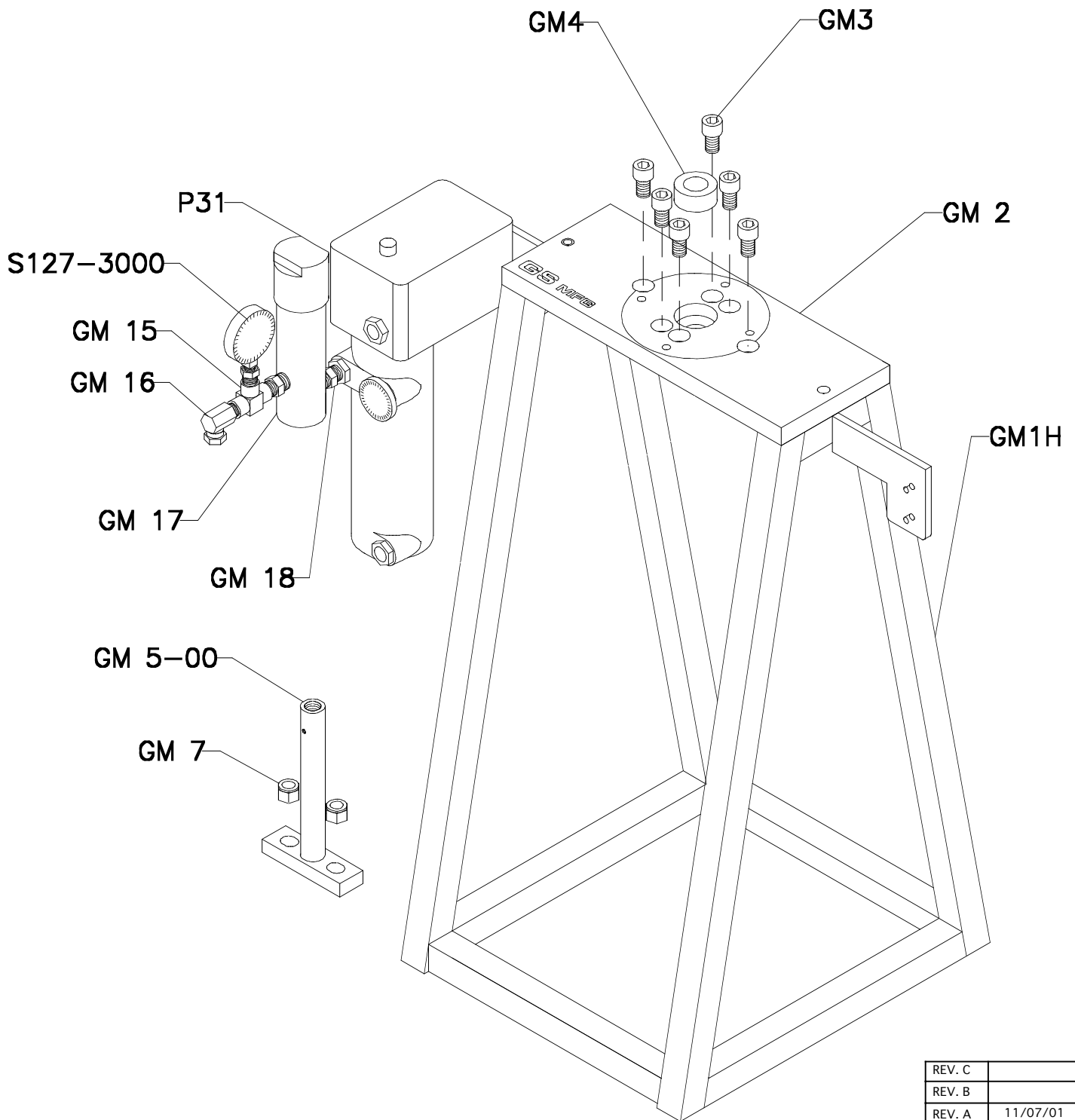



# GEMINI 1:1-8"



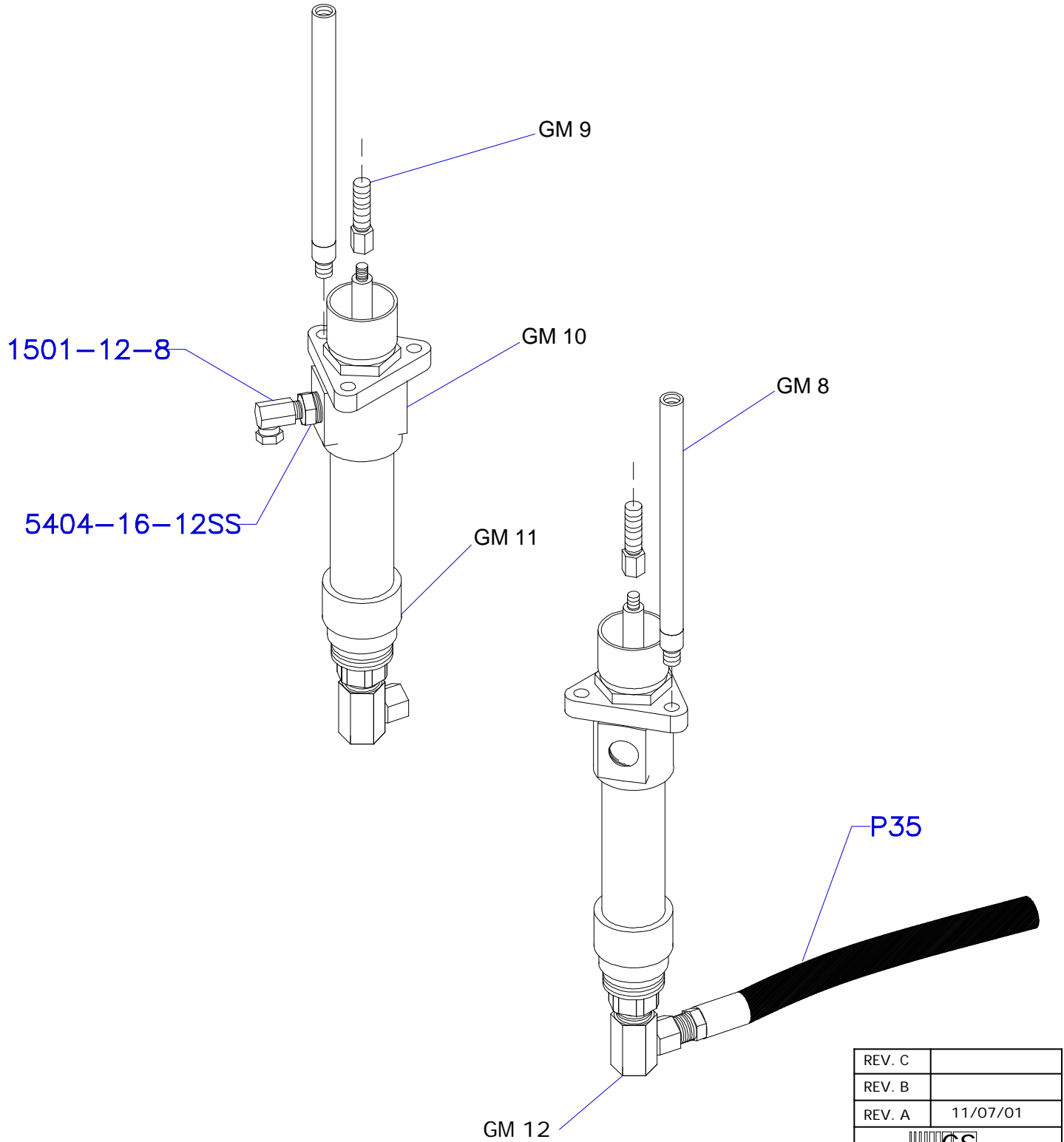
REV. C	
REV. B	
REV. A	4 / 29 / 07


# GEMINI 1:1 FRAME-00 ( HEATED )



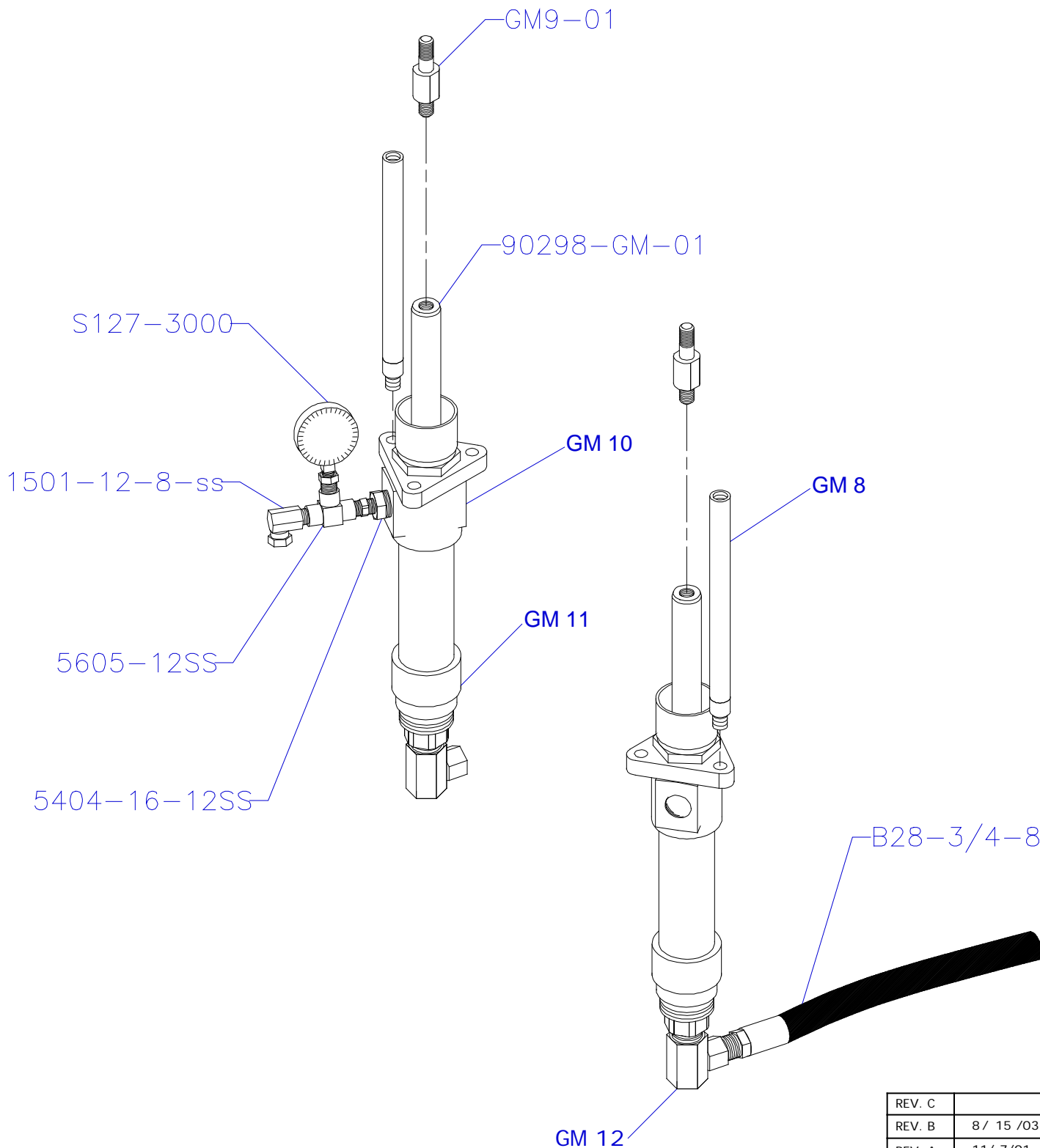
REV. C	
REV. B	
REV. A	11/07/01
	


# GEMINI 1:1 PUMPS (HEATED)



REV. C	
REV. B	
REV. A	11/07/01
 GS MFG	

# GEMINI 1:1 PUMPS (ADHESIVES)



REV. C	
REV. B	8 / 15 /03
REV. A	11 / 7 /01
	

# GEMINI 1:1 (RESINS)

